



微信/Wechat



网址/Website



上海维旺光电科技有限公司
Vooyage International Co.,Ltd

400-821 8969
www.vgsolar.com

地址: 上海市松江区书崖路168号15栋
Add: Building No.15,ShuYa Rd 168,Songjiang District,Shanghai,China
info@vgsolar.com
Tel: (+86) 021 5471 7707

VG SOLAR PRODUCT CATALOGUE

产品目录册

TOP 10 SOLAR MOUNTING SYSTEM BRANDS

COMPANY PROFILE

公司简介

上海维旺光电科技有限公司 (VG SOLAR) 是一家专业的光伏支架制造商,集光伏支架的研发、生产和销售为一体。公司成立于2013年,总部位于上海市松江区。

Vooyage International Co., Ltd (VG SOLAR) is a high-tech enterprise in the field of solar PV, covering the core links of the photovoltaic industry chain, focusing on the R&D of intergrated PV products and integrated clean energy solutions. VG SOLAR was founded in 2013 and is head quartered in SongJiang district, Shanghai.

4大优势 | 4 Advantages

01 10年覆盖50多个国家和地区

10 years covering more than 50 countries and regions

提供从家庭建筑、商业建筑、太阳能发电厂等不同规模和方向的光伏安装方案。产品已遍布中国、日本、泰国、澳大利亚、德国、马来西亚、菲律宾、墨西哥、荷兰、比利时等50多个国家和地区。

VG Solar offers solar mounting solutions for different sizes and orientations from home buildings, commercial buildings, solar power plants, etc.

As one of the largest PV solar mounting exporter in China, VG SOLAR products have been distributed to more than 50 countries and regions, including China, Japan, Thailand, Australia, Germany, Malaysia, Philippines, Mexico, Netherlands, Belgium and so on.

50+ 国家和地区

02 专业的资深技术团队

Professional Senior Technical Team

拥有领先的资深设计工程师团队,产品通过ISO质量体系认证,并拥有多项专利技术。相关专利广泛应用于分布式光伏领域,如彩钢瓦屋顶支架、斜面瓦屋顶支架、水泥屋顶C钢支架、水泥屋顶全铝三脚架、水泥屋顶压载支架、阳光房屋顶支架等。持续的研发积淀了深厚的技术和良好的口碑,产品备受客户和市场的认可。

VG SOLAR has a leading team of senior design engineers. The products have passed through the ISO quality system certification, and have a number of patented technology. These are widely used in various field for PV panels mount such as, in different kind of pitch roof, flat or concrete roof, sunshine house, ground solar farm etc. As a solar-mounting specialist, VG SOLAR focus on developing and optimising innovative mounting systems, while always considering clients' requirement on top. Through constant exchange with the customers, VG SOLAR can offer practical, long-lasting and secure solutions.

03 专业设计、权威认证

Professional Design authority certification

严格按照各国家对应设计范围进行计算,能够适应极端天气和不同地域,保证支架的安全稳定,支架已取得AS/NZ, JIS, MCS, ASTM等多家第三方检测机构测试和认证。

The calculation is strictly in accordance with the corresponding design range of each country, and it can adapt to extreme weather and areas to ensure the safety and stability of the bracket. The brackets have been tested and certified by many third-party testing organizations such as AS/NZ, JIS, MCS, ASTM etc.

04 一体化光伏支架系统服务

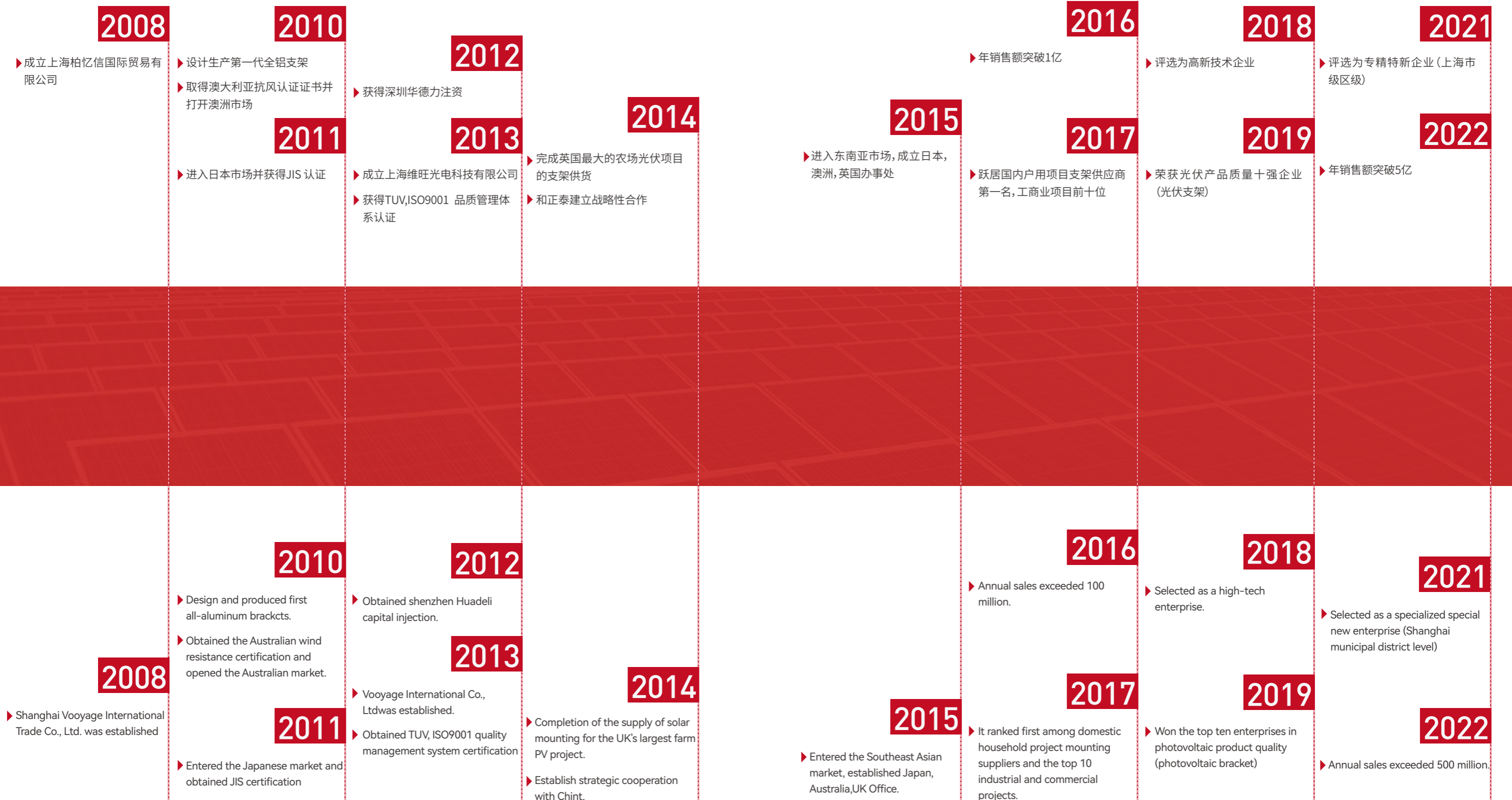
Integrated solar mounting system services

引入先进的管理模式,可为客户提供从前期勘察设计、采购、安装指导到后期维护的一体化光伏支架系统服务,为国内外数千光伏电站系统提供可靠的产品和解决方案。

VG SOLAR introduces advanced management mode, which can provide customers with integrated solar mounting system services from pre-survey and design, procurement, installation guidance to post-maintenance, and provide reliable products and solutions for solar power station systems at home and abroad.

8.5GW 9年装机容量
Installed capacity in 9 years

DEVELOPMENT HISTORY 发展历程



COMPANY HONORS 公司荣誉



- 2017年度北极星十大光伏支架品牌
- 2018年荣获高新技术企业证书
- 2018年度生产管理优秀奖(浙江正泰)
- 2018年中国工商业与户用光伏品牌联盟优秀企业
- 中国标准化协会太阳能应用分会户用光伏标准化联盟副理事长单位
- 2020年中国好光伏优秀光伏支架供应商
- 2020中国工商业与户用光伏行业品牌企业
- 江苏省可再生能源行业协会副理事长单位
- 上海市青年创业英才2020年(朱文逸)
- 2017 Polaris top 10 PV bracket brands.
- 2018 Won the certificate of high tech enterprise.
- 2018 Production Management Excellence Award (Zhejiang CHNT).
- Outstanding enterprise of China Industrial and commercial industry and household photovoltaic brand alliance in 2018.
- Vice chairman unit of household photovoltaic Standardization Alliance of solar energy application branch of China Standardization Association.
- China's excellent PV mounting supplier in 2020.
- 2020 brand enterprises in China's industrial and commercial industry and household PV industry.
- Vice chairman unit of Jiangsu. Renewable Energy Industry Association.
- Shanghai youth entrepreneurship talents 2020 (Zhu Wenyi).



- 2017年中国户用光伏品牌推广联盟会员单位
- 2018年领跑中国可再生能源先行企业100强优秀企业家
- 2018年再生能源现行企业100强(单项顶级光伏支架系统品牌)
- 2019年PVRC光伏产品质量十强企业
- 2019年度全国工商业与户用光伏优秀企业
- 2019年中国好光伏支架十大供应商
- 2020年松江区专精特新企业
- 2021年上海市专精特新企业
- 2022年度“北极星杯”影响力光伏支架品牌
- 2022年度“北极星杯”影响力特色光伏应用项目案例
- Member of China Household PV Brand Promotion Alliance in 2017.
- Outstanding Entrepreneur of China's Top 100 Renewable Energy Leading Enterprises in 2018.
- Top 100 Renewable Energy Enterprises in 2018 (single top photovoltaic support system brand).
- Top 10 PVRC PV Product Quality Enterprises in 2019.
- 2019 National Excellent Industrial and Commercial and Household PV Enterprise.
- Top 10 suppliers of China's good photovoltaic support in 2019.
- In 2020, Awarded as Songjiang District as a specialized and special new enterprise.
- In 2021, Awarded as Shanghai specialized and special new enterprise.
- 2022 "Polaris Cup" Influential PV mounting brand.
- 2022 "Polaris Cup" Influential PV Application Project Cases.

公司在发展过程中申请多项专利，包括3项发明专利证书、17项实用新型专利证书和17项软件著作权证书。

In the process of development, the company applied for a number of patents, including 3 invention patent certificates, 17 utility model patent certificates and 17 software copyright certificates.



目录 Contents

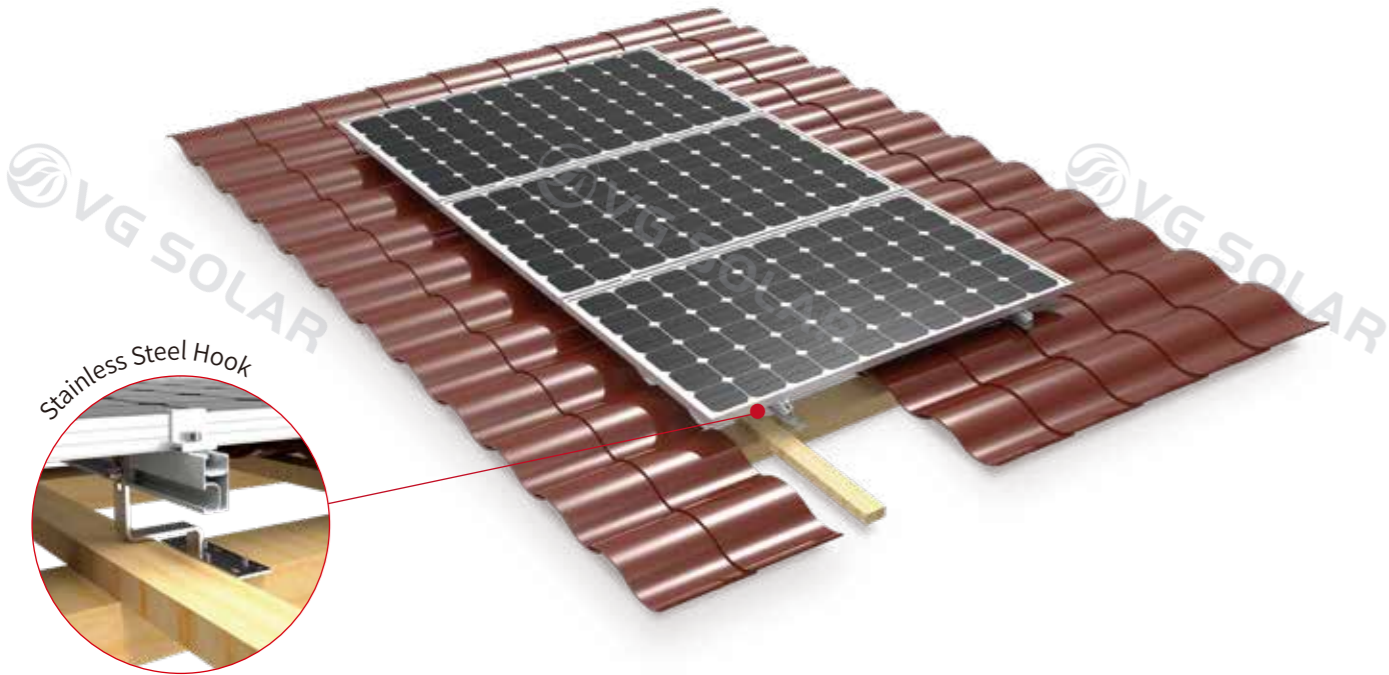
01	斜屋顶支架 <i>Pitched Roof Mounting System</i>	01-14
	瓦屋顶支架 Tile Roof Mount	01-03
	挂钩 Hook	04-06
	沥青瓦屋面支架 Asphalt Shingle Roof Mount	07
	彩钢瓦屋面支架 Trapezoidal Sheet Roof Mount	08
	彩钢瓦屋面支架 Standing Seam Roof Mount	09
	短/无导轨支架 Short/Rail-less Mount	10
	夹具 Clamp	11-14
02	平屋顶支架 <i>Flat Roof Mounting System</i>	15-20
	压载支架 Ballast Mount(Aluminum)	15-16
	可调支架 Adjustable Mount	17-18
	可调三脚架-铝 Adjust Tripod Mount(Aluminum)	19
	平屋面支架 (钢) Flat Roof Mount(Steel)	20
03	TPO屋面支架 <i>TPO Roof Mounting System</i>	21-22
	TPO屋面支架 TPO Roof Solar Mount	21-22
04	阳台支架系统 <i>Balcony Solar Mounting</i>	23-24
	阳台支架 Balcony Solar Mounting	23-24
05	地面支架 <i>Ground Mounting System</i>	25-26
	全铝5代支架 Aluminum Ground Mount	25
	锤入桩支架 Ramming Pile Ground Mount	26
06	车棚 <i>Solar Carport Mounting System</i>	27-28
	车棚-铝 Solar Carport(Aluminum)	27
	车棚-钢 Solar Carport(Steel)	28

07	农/渔光互补支架 <i>Agriculture-Fishery Mounting System</i>	29
	农/渔光互补支架 Agriculture-Fishery Mount	29
08	光伏建筑一体化 <i>BIPV Mount</i>	30
	光伏建筑一体化 BIPV Mount	30
09	光伏跟踪系统 <i>Solar Tracker System</i>	31-38
	光伏跟踪系统 Solar Tracker System	31-38
10	清扫机器人 <i>Solar Panels Cleaning Robot</i>	39-40
	清扫机器人 Solar Panels Cleaning Robot	39-40
11	配件 <i>Accessories</i>	41-46
	配件 Accessories	41-44
	螺旋地桩 Ground Screws	45-46
12	项目案例 <i>Project References</i>	47-51
	项目案例 Project References	47-51
13	农业大棚 <i>Agricultural Greenhouse</i>	52
	农业大棚 Agricultural Greenhouse	52

瓦屋顶支架

Tile Roof Mount

Item No.:VG-TR01



■ 特点优势

- 适配多种屋顶, 出厂前预安装, 安装简便, 节省人工成本和时间。
- 满足横放、竖放朝向, 角度可调节。
- 材质为阳极氧化铝Al6005-T5和不锈钢304, 均为15年质保。
- 获得澳洲AS/NZ 1170 及SGS和MCS等国际认证, 适应极端天气。

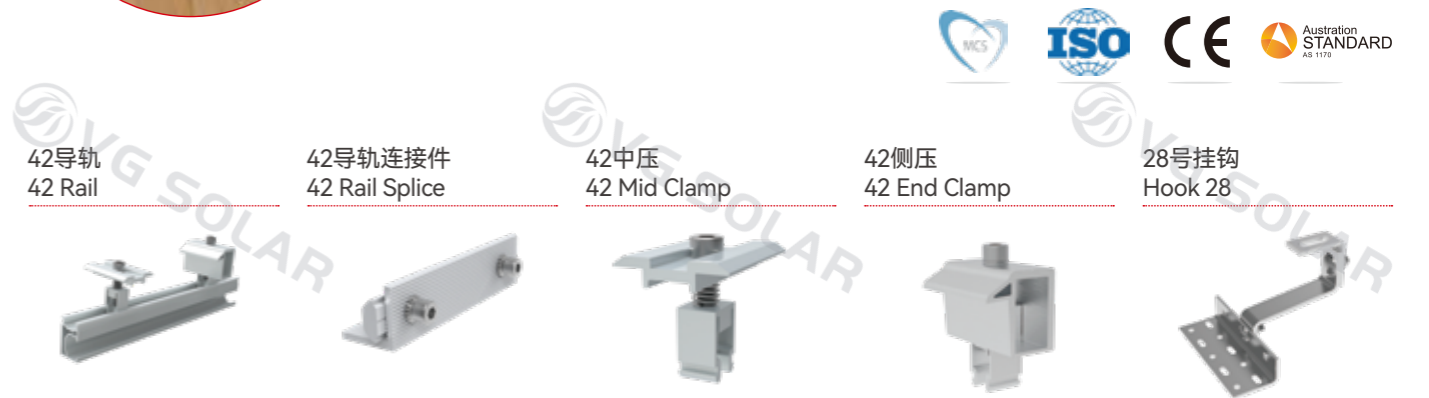
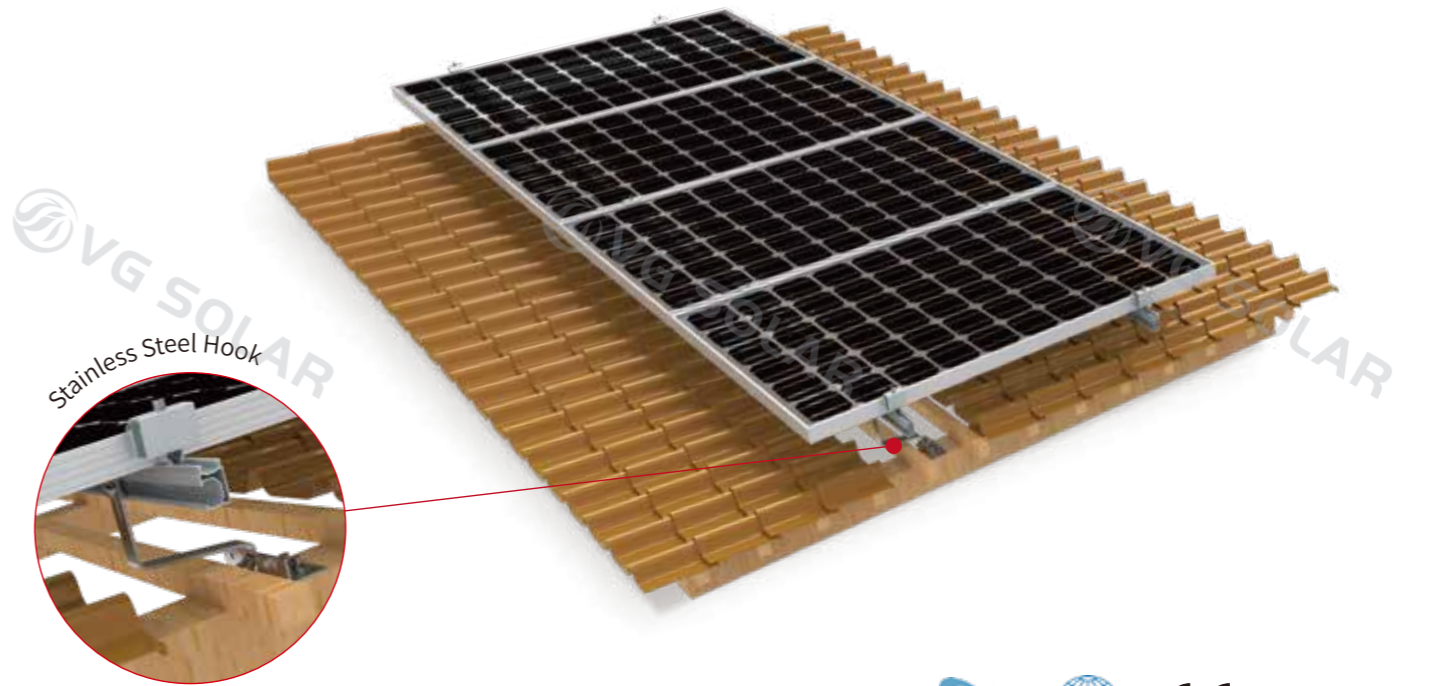
■ Features & Benefits

- Compatible with many tiles roof.Highly factory assembled, provide easy installation, which saves labor cost and time.
- Portrait and Landscape orientation,adjustable height.
- Anodised Aluminum Al6005-T5 and Stainless Steel SUS 304, with 15 years product warranty.
- Can stand up to the extreme weather,complied with AS/NZ 1170 and other international standards such as SGS,MCS etc.

瓦屋顶支架

Tile Roof Mount

Item No.:VG-TR02



54A导轨
54A Rail

54A导轨连接件
54A Rail Splice

中压
Mid Clamp

侧压
End Clamp

1号挂钩
Hook 01



42导轨
42 Rail

42导轨连接件
42 Rail Splice

42中压
42 Mid Clamp

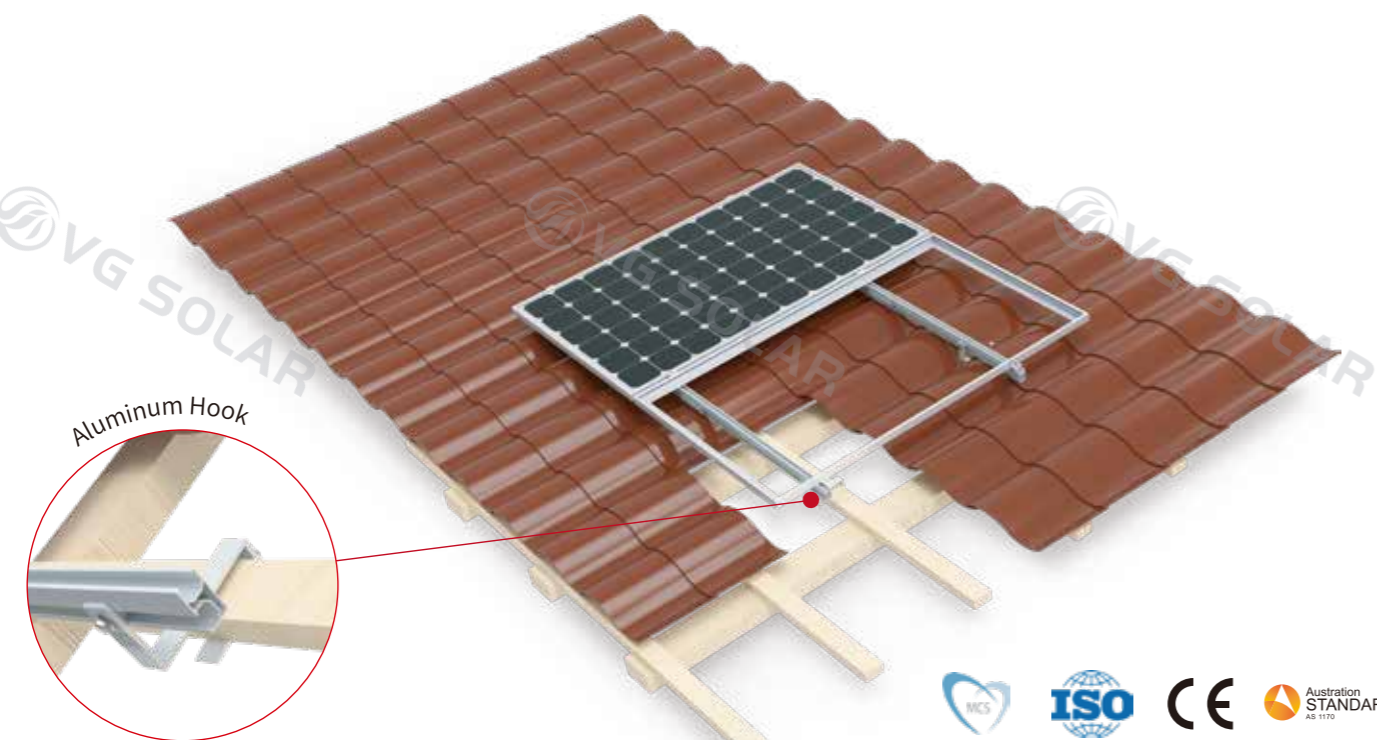
42侧压
42 End Clamp

28号挂钩
Hook 28



瓦屋顶支架 Crown Mount

Item No.:VG-CM03



09号挂钩/Hook 09



VG-BS-009

20号挂钩/Hook 20



VG-BS-020

36号挂钩/Hook 36



VG-BS-036

■ 特点优势

- 适配多种屋顶, 出厂前预安装, 安装简便, 节省人工成本和时间。
- 满足横放、竖放朝向, 角度可调节。
- 材质为阳极氧化铝Al6005-T5, 均为15年质保。
- 获得澳洲AS/NZ 1170 及SGS 和MCS等国际认证, 适应极端天气。

■ Features Benefits

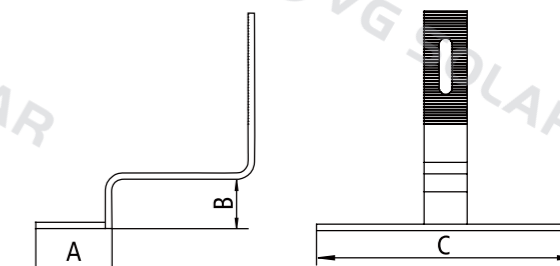
- Directly hooked on roof rafter.Highly factory assembled,provide easy installation, which saves labor cost and time.
- Portrait and Landscape orientation,adjustable height.
- Anodised Aluminum Al6005-T5 and Stainless Steel SUS 304,with 15 years product warranty.
- Can stand up to the extreme weather,complied with AS/NZ 1170 and other international standards such as SGS,MCS etc.



VG-BS-001

1号挂钩
材质:不锈钢 SUS304
Hook 01(Roman Tile)
Material:SUS304

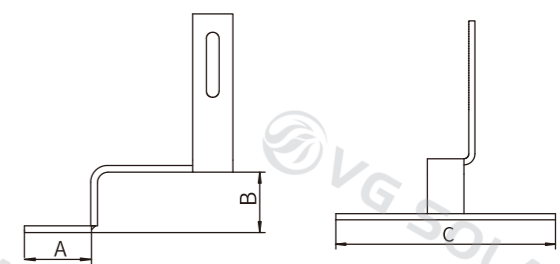
A	B	C
55mm	45mm	180mm



VG-BS-013

13号挂钩
材质:不锈钢 SUS304
Hook 13(Roman Tile- Landscape)
Material:SUS304

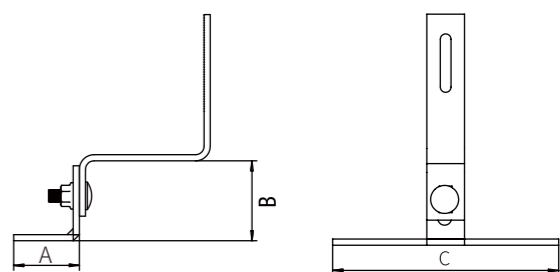
A	B	C
50mm	45mm	180mm



VG-BS-015

15号挂钩(可调)
材质:不锈钢 SUS304
Hook 15 (Adjustable Hook)
Material:SUS304

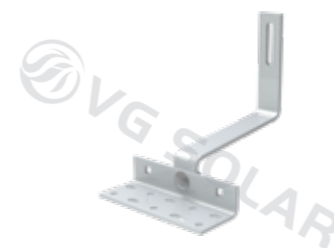
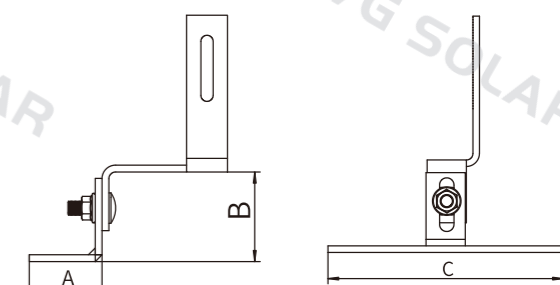
A	B	C
143mm	52mm	42-50mm



VG-BS-016

16号挂钩(可调)
材质:不锈钢 SUS304
Hook 16 (Adjustable Hook)
Material:SUS304

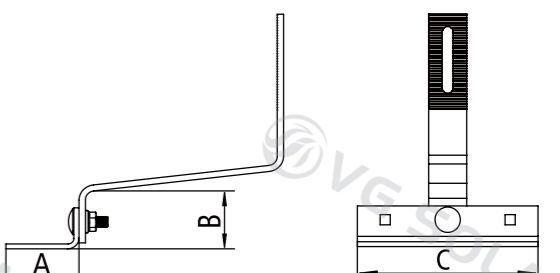
A	B	C
53mm	48-78mm	180mm



VG-BS-021

21号挂钩(可调)
材质:不锈钢 SUS304
Hook21 (Adjustable Hook)
Material:SUS304

A	B	C
54mm	42-50mm	143mm

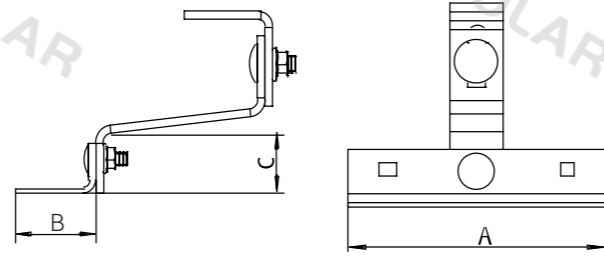


VG-BS-028

28号挂钩(可调)
材质:不锈钢 SUS304

Hook 05 (Roman Tile-Adjustable)
Material:SUS304

A	B	C
142mm	52mm	42-50mm

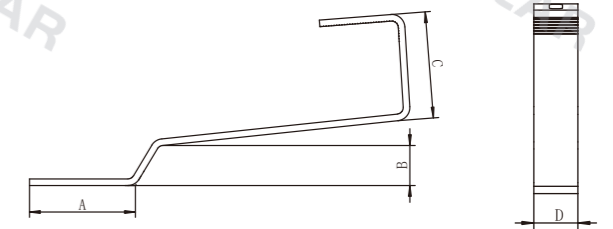


VG-BS-012

12号挂钩(平瓦屋顶)
材质:不锈钢 SUS304

Hook 12 (Slate/Flat roof tile)
Material:SUS304

A	B	C	D
80mm	30mm	80mm	30mm

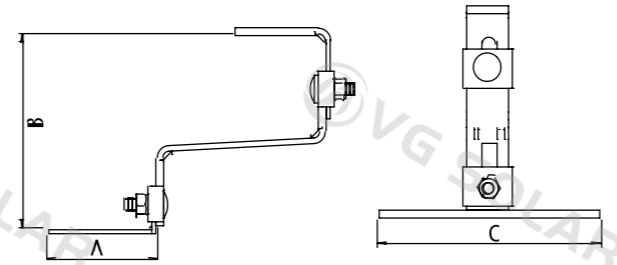


VG-BS-030

30号挂钩(可调)
材质:不锈钢 SUS304

Hook 30 (Roman Tile-Adjustable)
Material:SUS304

A	B	C
89mm	129-165mm	180mm

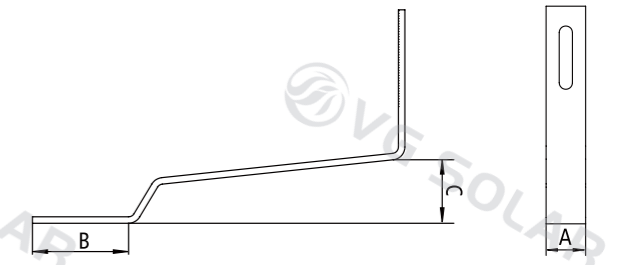


VG-BS-005

05号挂钩(平瓦屋顶)
材质:不锈钢 SUS304

Hook 05 (Slate/Flat roof tile)
Material:SUS304

A	B	C
30mm	80mm	50mm

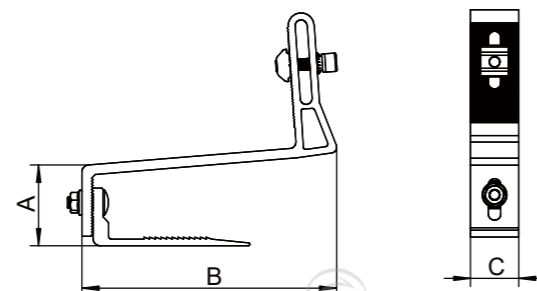


VG-BJ-036

36号挂钩(可调)
材质:铝合金

Hook 36 (Crown Mount Adjustable)
Material:AL6005-T5

A	B	C
408-708mm	180.2mm	35mm

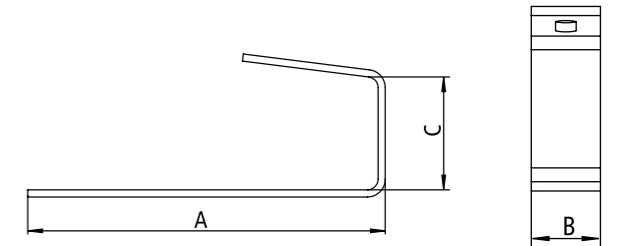


VG-BS-003

03号挂钩(沥青瓦屋顶)
材质:不锈钢 SUS304

Hook 03 (Asphalt Shingle Roof)
Material:SUS304

A	B	C
200mm	30mm	70mm

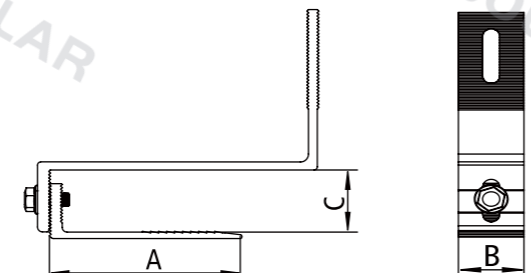


VG-BS-020

20号挂钩(可调)
材质:铝合金

Hook 20 (Adjustable Hook)
Material:AL6005-T5

A	B	C
119mm	35mm	39mm

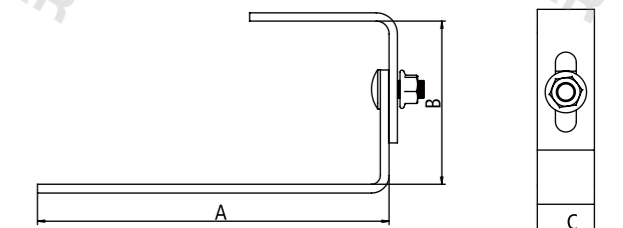


VG-BS-003B

03B号挂钩(沥青瓦可调挂钩)
材质:不锈钢 SUS304

Hook 03B Adjustable
(Asphalt Shingle Roof)
Material:SUS304

A	B	C
200mm	78-108mm	30mm

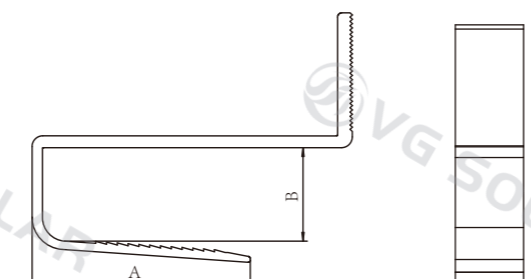


VG-BS-009

09号挂钩
材质:铝合金

Hook 09
Material:AL6005-T5

A	B	C
101mm	43mm	30mm

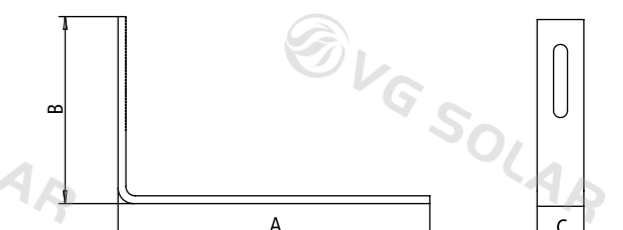


VG-BS-007

07号挂钩(沥青瓦屋顶)
材质:不锈钢 SUS304

Hook 07 (Asphalt Shingle Roof)
Material:SUS304

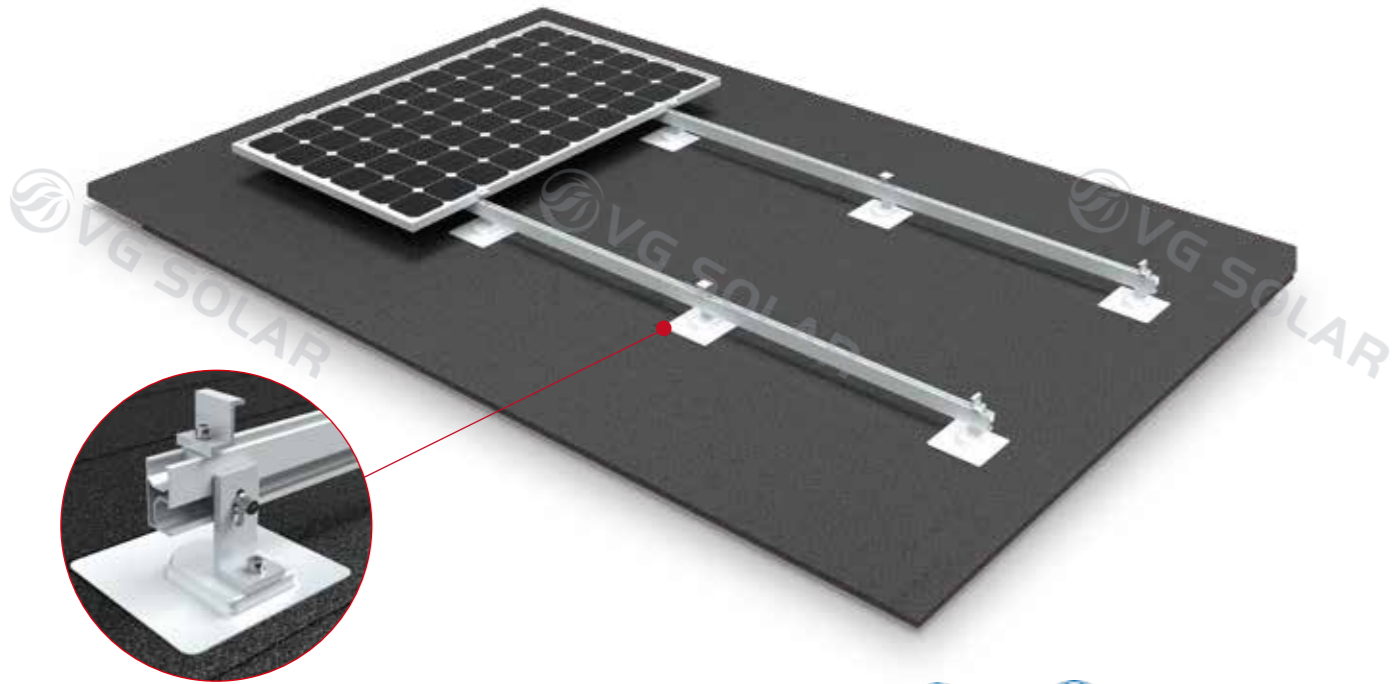
A	B	C
200mm	120mm	30mm



沥青瓦屋面支架

Asphalt Shingle Roof Mount

Item No.:VG-AS01



防水盖板/Asphalt shingle Roof Hook Kits

VG-ML-A003-P01



■ 特点优势

- 直接安装在屋面椽条，出厂前预安装，安装简便，节省人工成本和时间。
- 可横放、竖放，角度可调节。
- 材质为阳极氧化铝Al6005-T5和不锈钢304，均为15年质保。
- 澳洲AS/NZ 1170及SGS和MCS等国际认证，适应极端天气。

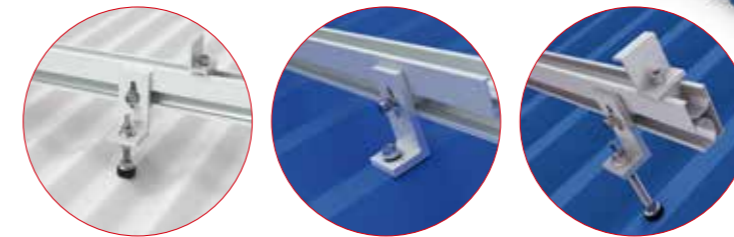
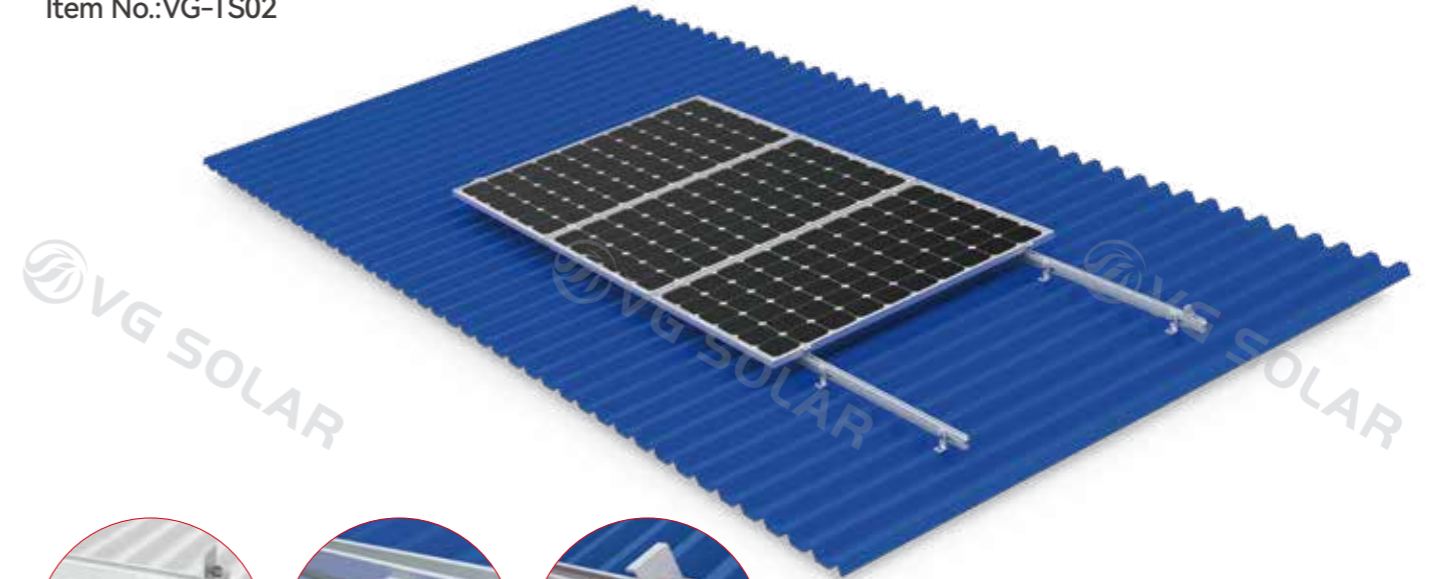
■ Features Benefits

- Designed for Asphalt Shingle Roof.Highly factory assembled, provide easy installation, which saves labor cost and time.
- Portrait and Landscape orientation,made of anodised aluminum.
- Anodised Aluminum Al6005-T5 and Stainless Steel SUS 304,with 15 years product warranty.
- Can stand up to the extreme weather,complied with AS/NZ 1170 and other international standards such as SGS,MCS etc.

彩钢瓦屋面支架

Trapezoidal Sheet Roof Mount

Item No.:VG-TS02



L脚/L-Feet



双头螺杆/Hanger Bolt



L脚双头螺杆/L-Feet Hanger Bolt



■ 特点优势

- 专为金属(彩钢瓦/石棉瓦)和纤维水泥石棉屋顶设计，出厂前预安装，安装简便，节省人工成本和时间。
- 可横放、竖放，材质为阳极氧化铝。
- 底部用自攻钉固定，并用EPDM橡胶垫密封，为降低漏水风险提供了很好的解决方案。
- 双头螺杆有不同规格，灵活适用于不同屋顶类型。
- 材质为阳极氧化铝Al6005-T5和不锈钢304，均为15年质保。
- 获得澳洲AS/NZ 1170及SGS和MCS等国际认证，适应极端天气。

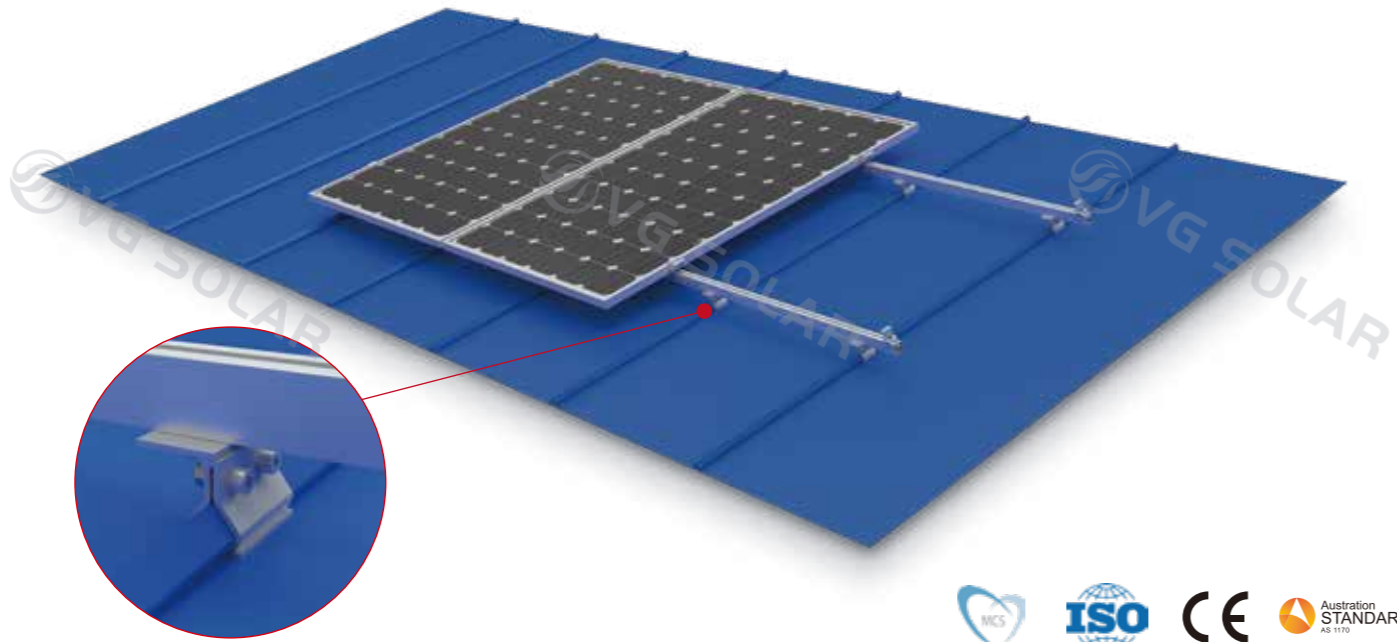
■ Features Benefits

- Designed for metal (trapezoidal/corrugated roof) and fiber-cement asbestos roof.Highly factory assembled,provide easy installation, which saves labor cost and time.
- Portrait and Landscape orientation,made of anodised aluminum.
- Self tapping screws with water proof cap and EPDM rubber pad at the bottom provides great solution for water leakage.
- Hanger bolt with different lengths provides flexible solution for many roof.
- Anodised Aluminum Al6005-T5 and Stainless Steel SUS 304,with 15 years product warranty .
- Can stand up to the extreme weather,complied with AS/NZ 1170 and other international standards such as SGS,MCS etc.

彩钢瓦屋面支架

Standing Seam Roof Mount

Item No.:VG-SR03



23号夹具
Roof Clamp 23



22号夹具
Roof Clamp 22



38号夹具
Roof Clamp 38



52号夹具
Roof Clamp 52



■ 特点优势

- 可将光伏组件或导轨直接安装到工商业屋顶的锁边上,不会破坏彩钢瓦屋面。
- 夹具具有两种型号,适用于多种金属屋顶,包括单卷和双卷锁边屋顶以及类似的屋面。
- 更简单、稳固、高效,降低安装成本。
- 材质为阳极氧化铝Al6005-T5和不锈钢304,均为15年质保。
- 获得澳洲AS/NZ 1170及SGS和MCS等国际认证,适应极端天气。

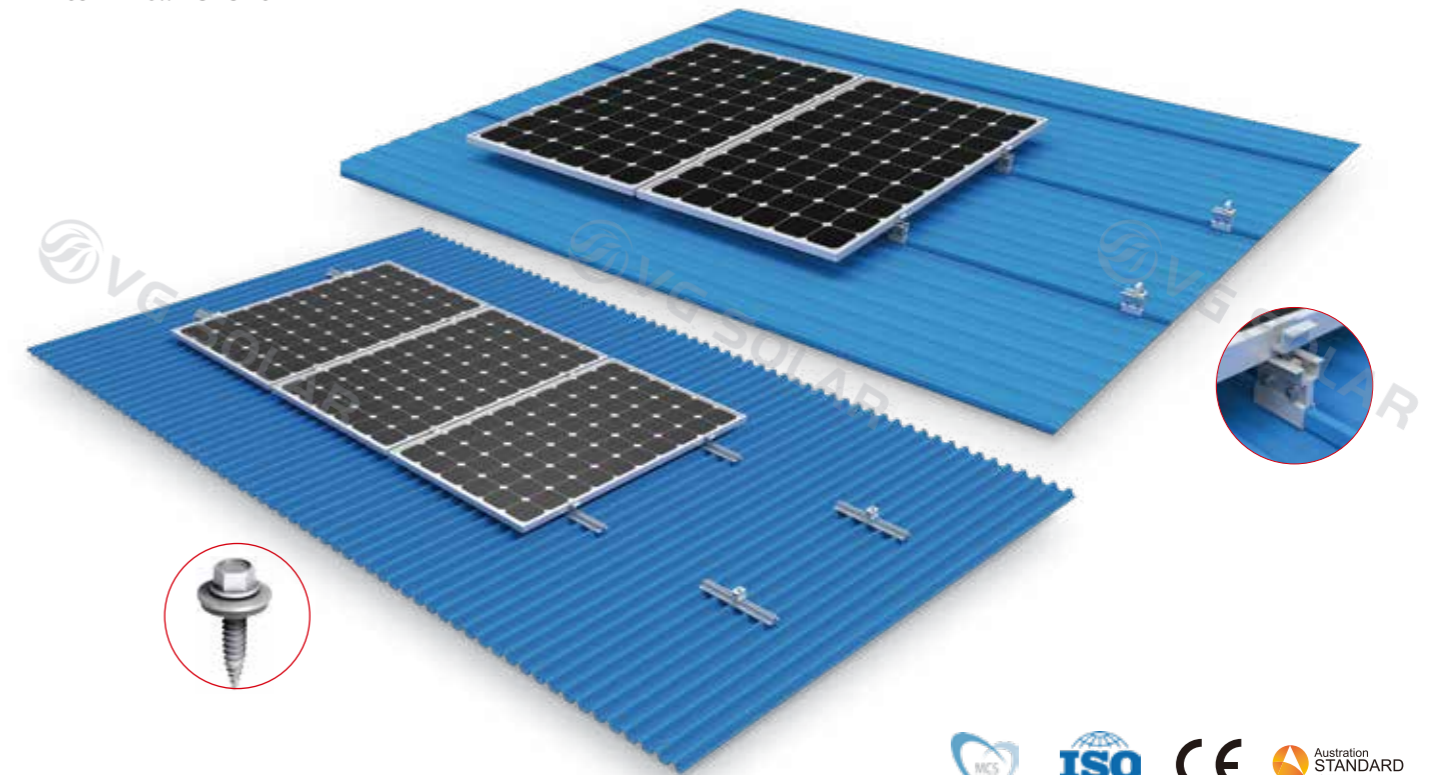
■ Features Benefits

- The system was designed to allow the attachment of PV modules or PV mounting rails directly to a commercial grade standing seam metal roof without penetrating the metal or collapsing the ridge in the metal roof material.
- The clamp is made from high tensile strength aluminum and has two models that will work with multiple metal roof designs including single and double rolled seams or similar designs.
- This allows a completely engineered system that is simple, robust, and efficient with the lowest possible total installed cost.
- Anodised Aluminum Al6005-T5 and Stainless Steel SUS 304, with 15 years product warranty.
- Can stand up to the extreme weather, complied with AS/NZ 1170 and other international standards such as SGS, MCS etc.

短/无导轨支架

Short/Rail-less Mount

Item No.:VG-SL04



42A型底座组合
42A-Short Rail



U型底座组合
U-Short Rail



无导轨夹具/Seam roof kliplocks(no rail system)



VG-CJ-67-P01

VG-CJ-67-P02

VG-CJ-67-P03

■ 特点优势

- 成本低,压块通用。
- 底部用EPDM橡胶垫密封,为降低漏水风险提供了很好的解决方案。
- 自攻钉配备EPDM和防水垫圈,圆头设计减少了对屋顶的破坏。
- 材质为阳极氧化铝Al6005-T5和不锈钢304,均为15年质保。
- 获得澳洲AS/NZ 1170及SGS和MCS等国际认证,适应极端天气。
- 有200mm和400mm的长度供选择,可以横放或者竖放。

■ Features Benefits

- Low material/ fitting costs.
- Universal Clip in Clamps With EPDM rubber adhesion on bottom, which guarantees great water-proofing.
- Self-tapping screws with EPDM and water-proof head, sharp round heads minimize roof damage.
- Anodised Aluminum Al6005-T5 and Stainless Steel SUS 304, with 15 years product warranty.
- Can stand up to the extreme weather, complied with AS/NZ 1170 and other international standards such as SGS, MCS etc.
- Length 120mm, 200mm and 400mm available, capable at panel verticle and landscape.

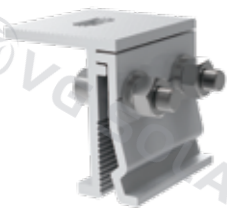
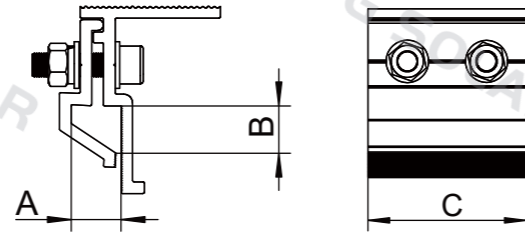


VG-CJ-50-P02

50号夹具
材质: 铝合金/不锈钢

Clamp 50
Material: AL6005-T5/SUS304

A	B	C
17mm	16.2mm	60mm

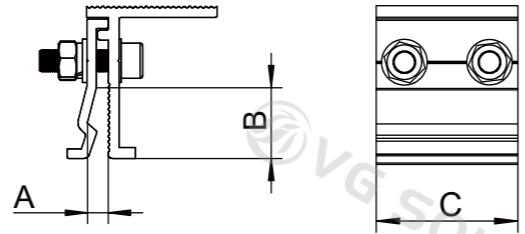


VG-CJ-60-P01

60号夹具
材质: 铝合金/不锈钢

Clamp 60
Material: AL6005-T5/SUS304

A	B	C
7.6mm	26mm	50mm

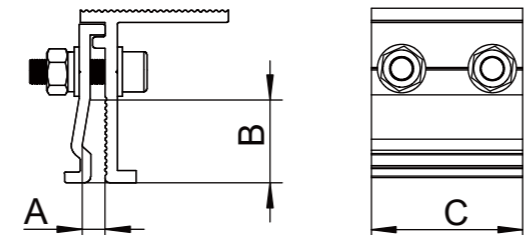


VG-CJ-60-P02

60c号夹具
材质: 铝合金/不锈钢

Clamp 60c
Material: AL6005-T5/SUS304

A	B	C
7.4mm	26.8mm	50mm

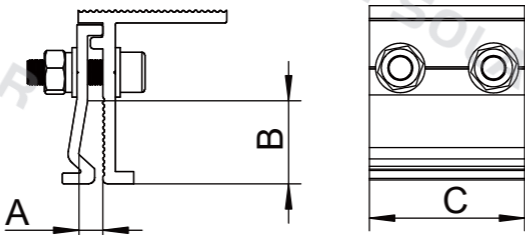


VG-CJ-60-P05

06d号夹具
材质: 铝合金/不锈钢

Clamp 06d
Material: AL6005-T5/SUS304

A	B	C
7.7mm	26.8mm	50mm

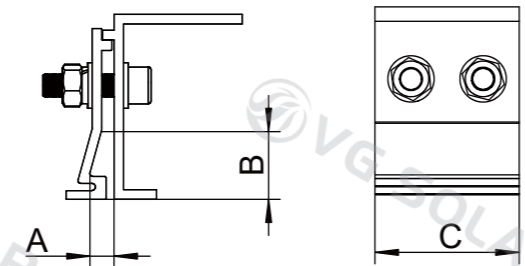


VG-CJ-62-P03

62号夹具
材质: 铝合金/不锈钢

Clamp 62
Material: AL6005-T5/SUS304

A	B	C
8.5mm	23.8mm	50mm

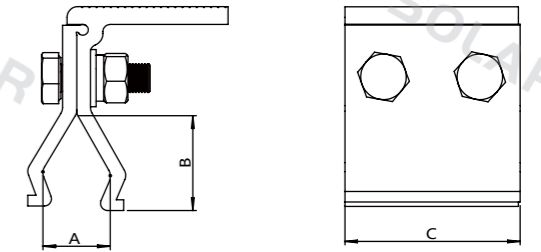


VG-CJ-23-P04

23号夹具
材质: 铝合金/不锈钢

Clamp 23
Material: AL6005-T5/SUS304

A	B	C
19mm	26mm	50mm

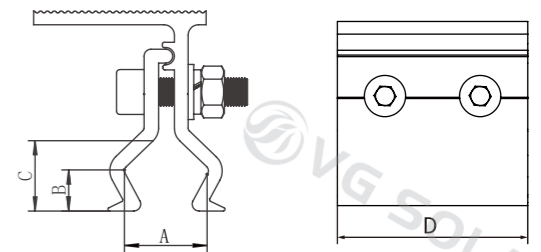


VG-CJ-51-P01

51号夹具
材质: 铝合金/不锈钢

Clamp 51
Material: AL6005-T5/SUS304

A	B	C	D
24mm	12mm	20mm	60mm

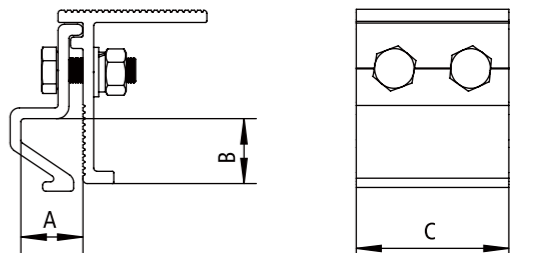


VG-CJ-22-P01

22号夹具
材质: 铝合金/不锈钢

Clamp 22
Material: AL6005-T5/SUS304

A	B	C
20mm	20mm	50mm

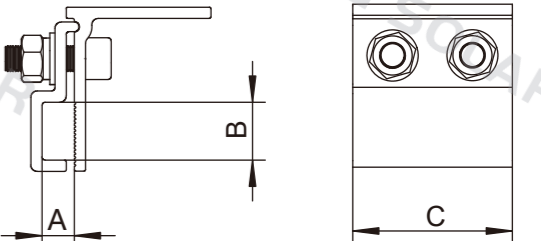


VG-CJ-38-P01

38号夹具
材质: 铝合金/不锈钢

Clamp 38
Material: AL6005-T5/SUS304

A	B	C
10mm	18mm	50mm

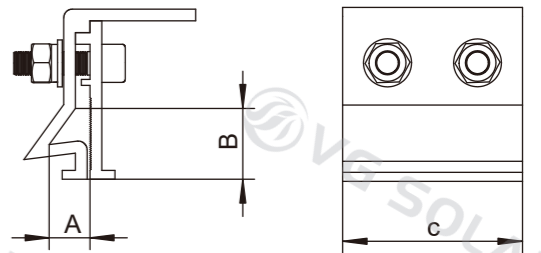


VG-CJ-44-P01

44号夹具
材质: 铝合金/不锈钢

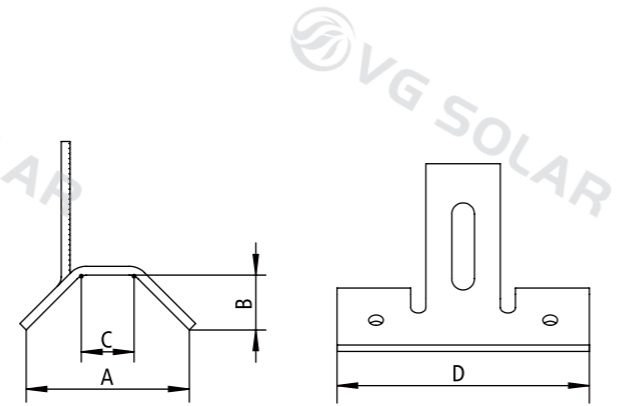
Clamp 44
Material: AL6005-T5/SUS304

A	B	C
14mm	24.1mm	60mm



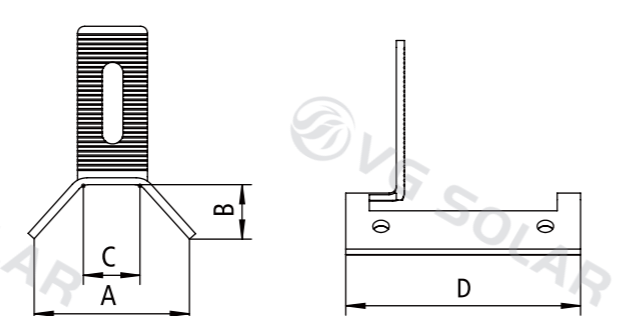
VG-BS-A017
01号夹具
材质: 不锈钢
Clamp 01
Material: SUS304

A	B	C	D
64mm	21mm	20mm	100mm



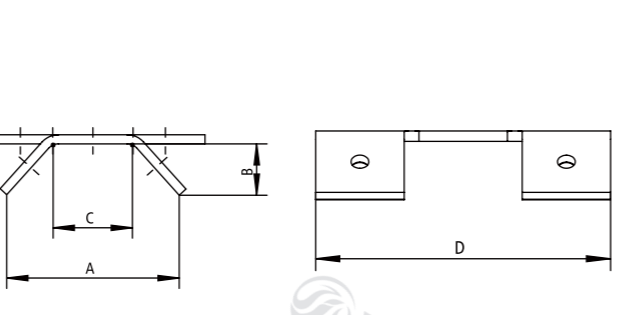
VG-BS-A018
02号夹具
材质: 不锈钢
Clamp 02
Material: SUS304

A	B	C	D
60mm	23mm	24mm	100mm



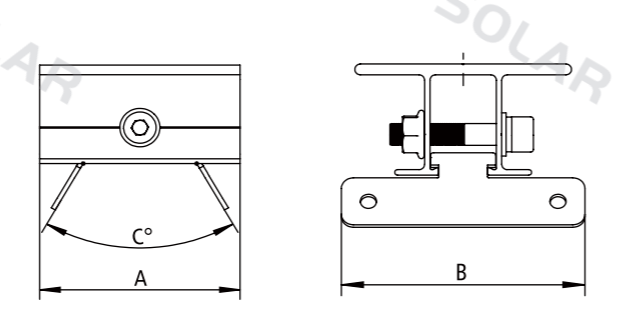
VG-BS-A019
03号夹具
材质: 不锈钢
Clamp 03
Material: SUS304

A	B	C	D
66mm	19mm	30mm	100mm



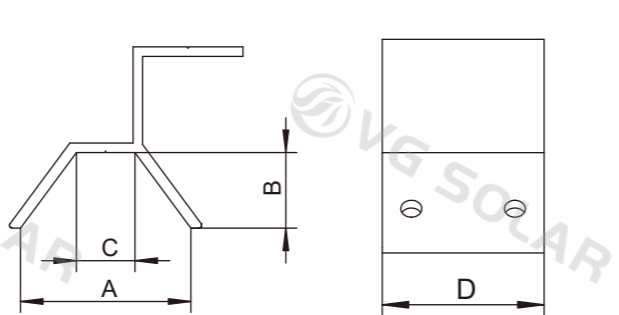
VG-CJ-06-P01
06号夹具
材质: 铝合金/不锈钢
Clamp 06
Material: AL6005-T5/SUS304

A	B	C
80mm	90mm	0-75°



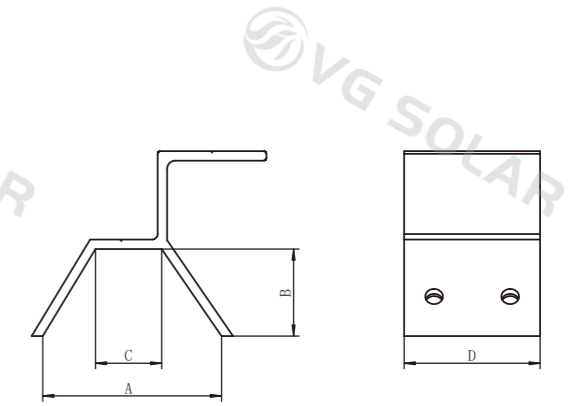
VG-AJ-396-A001
2030号夹具
材质: 铝合金
Clamp 2030
Material: AL6005-T5

A	B	C	D
62mm	27.5mm	21.3mm	50mm



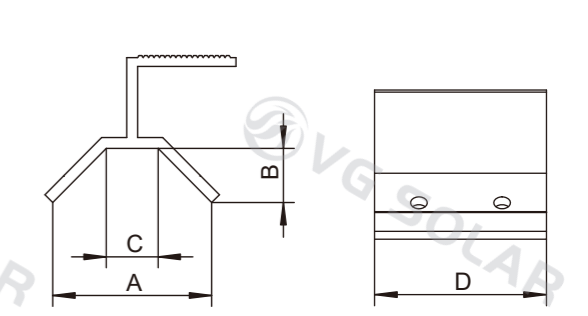
VG-AJ-404-A001
2432号夹具(梯形彩钢瓦)
材质: 铝合金
Clamp 2432(Trapezoidal Roof Tile)
Material: AL6005-T5

A	B	C	D
65.7mm	32mm	24mm	50mm



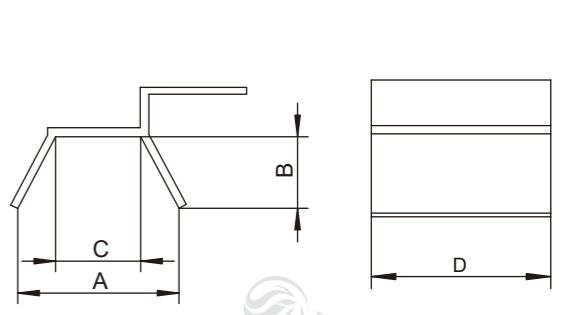
VG-AJ-400-A001
1820号夹具(梯形彩钢瓦)
材质: 铝合金
Clamp 1820 (Trapezoidal Roof Tile)
Material: AL6005-T5

A	B	C	D
58.2mm	19.8mm	19mm	62mm



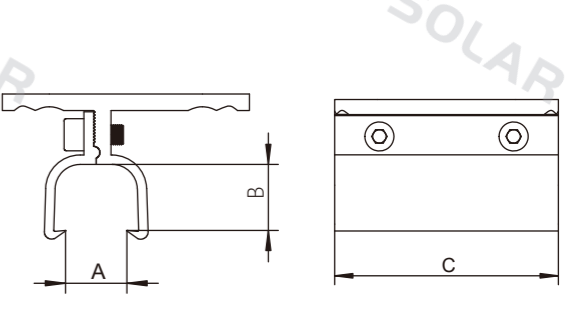
VG-AJ-393-A002
42号夹具(梯形彩钢瓦)
材质: 铝合金
Clamp 42 (Trapezoidal Roof Tile)
Material: AL6005-T5

A	B	C	D
60.9mm	27mm	32.2mm	60mm



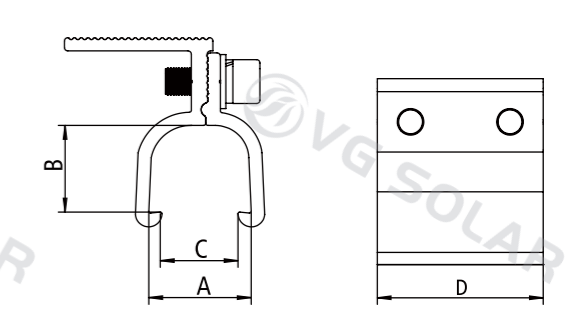
VG-CJ-16-P01
16号夹具(kliplok接縫夹具)
材质: 铝合金/不锈钢
Clamp 16 (kliplok Seam Clamp)
Material: AL6005-T5/SUS304

A	B	C
24.9mm	26.7mm	100mm



VG-CJ-52-P01
52号夹具(kliplok接縫夹具)
材质: 铝合金/不锈钢
Clamp 52 (kliplok Seam Clamp)
Material: AL6005-T5/SUS304

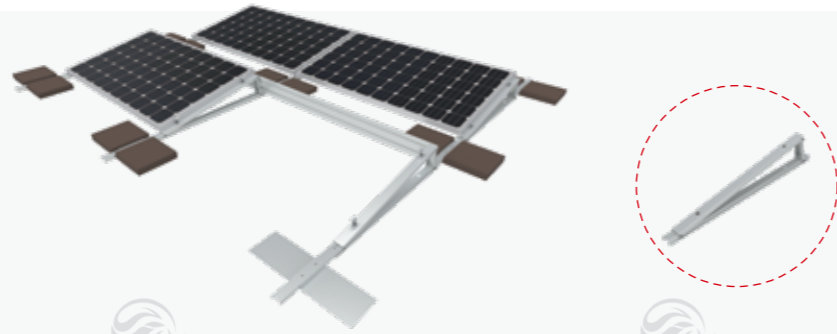
A	B	C	D
30.4mm	25.7mm	22.6mm	50mm



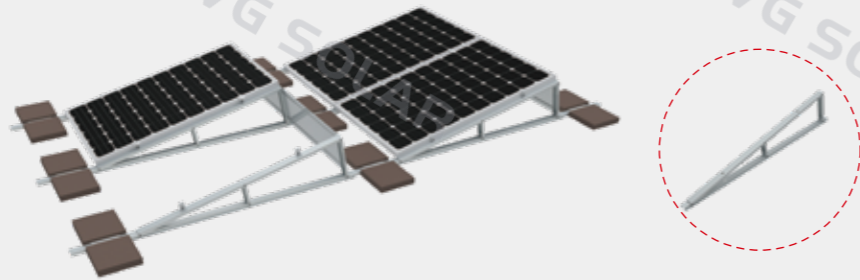
压载支架-铝

Ballast Mount(Aluminum)

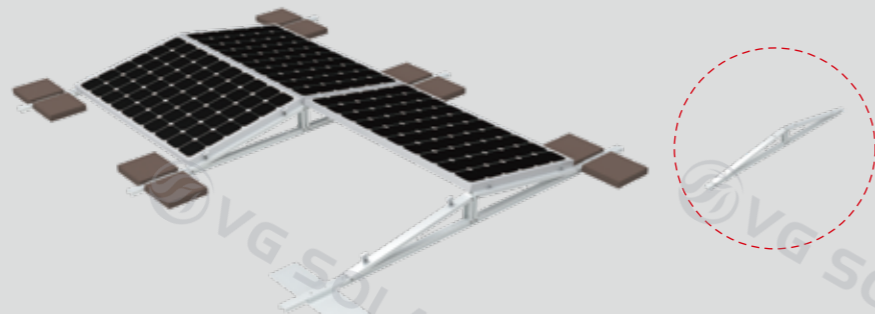
横放
Horizontal Layout
Item No.:VG-BM-F101



竖放
Vertical Layout
Item No.:VG-BM-F102



东西面
East-West Layout
Item No.:VG-BM-F103



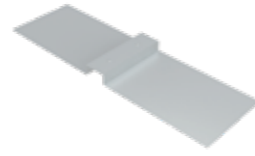
中侧压/Mid- End Clamp



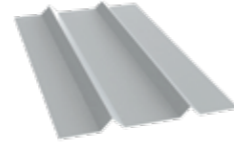
连接杆/Connector



压载盘/Ballast Pan



挡风板/Wind Deflector



■ 特点优势

- 设计用于单层膜或沥青屋顶覆盖的平屋顶,也适用于混凝土、砾石或绿色屋顶。
- 压载的设计,不需要破坏屋顶,倾角 $\leq 3^\circ$ 。
- 组件排布可以横放、竖放或者双面朝向,材质是氧化铝。
- 可提供 10° 、 12° 、 15° 角度的支架定制服务。
- 可折叠的包装设计,占地面积小,节省运输成本。
- 高度工厂化组装,安装方便,节省人工成本和时间。

■ Features Benefits

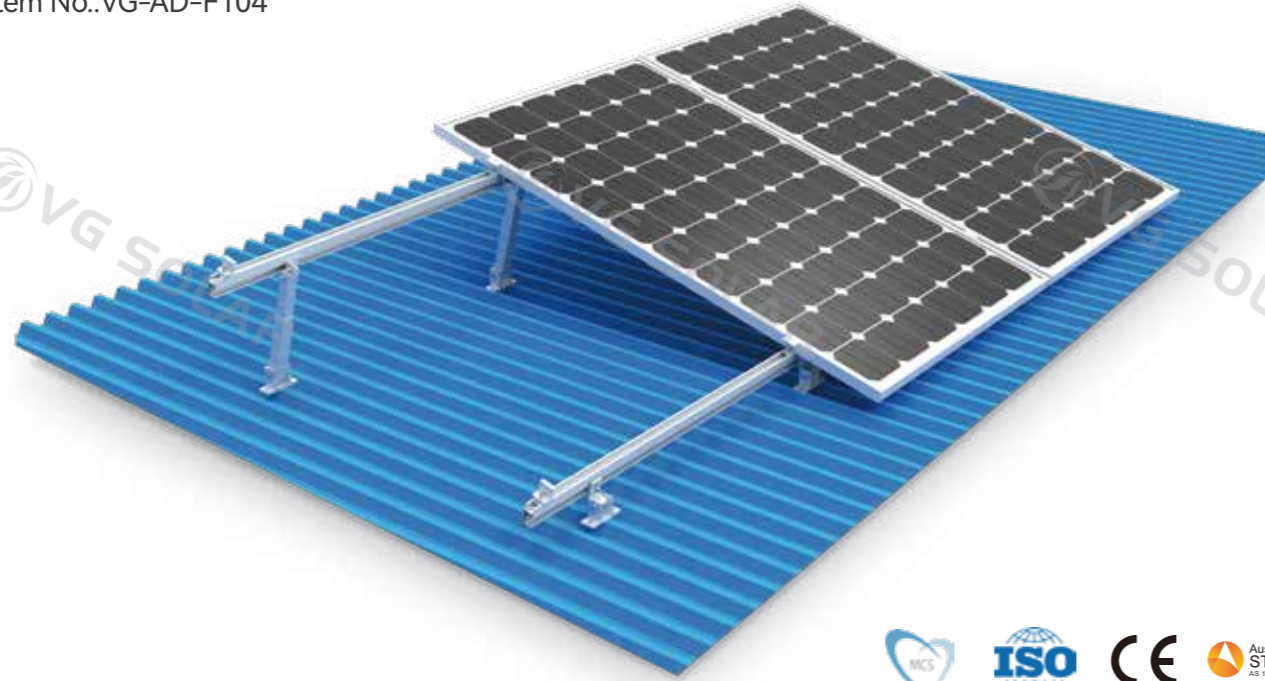
- Designed for Flat roofs with single ply membrane or bituminous roof covering, also on concrete,gravelled or green roofs.
- Ballasted; no roof penetration for inclination $\leq 3^\circ$.
- Portrait,Landscape or Dual Side orientation,made of anodised aluminum.
- Available in 10° , 12° , 15° elevation angle.
- Foldable Tripod, occupy less space, saving transportation cost.
- Highly factory assembled,provide easy installation, which saves labor cost and time.

■ 项目案例/Project References



可调支架 Adjustable Mount

可调前后脚支架
Adjustable Front & Rear Post
Item No.:VG-AD-F104



可调前后脚/Adjustable Front & Rear



编号/ Item No.	描述/ Description	长度/ Length
VG-AJ-284-A001-P02	AD 前脚 AD Front Leg	/
VG-AJ-586-A001-P002	AD后脚10/15度 AD Rear Leg 10/15 deg	240-360mm
VG-AJ-586-A001-P001	AD后脚15/30度 AD Rear Leg 15/30 deg	340-680mm
VG-AJ-586-A001-P003	AD后脚30/60度 AD Rear Leg 30/60 deg	700-1200mm

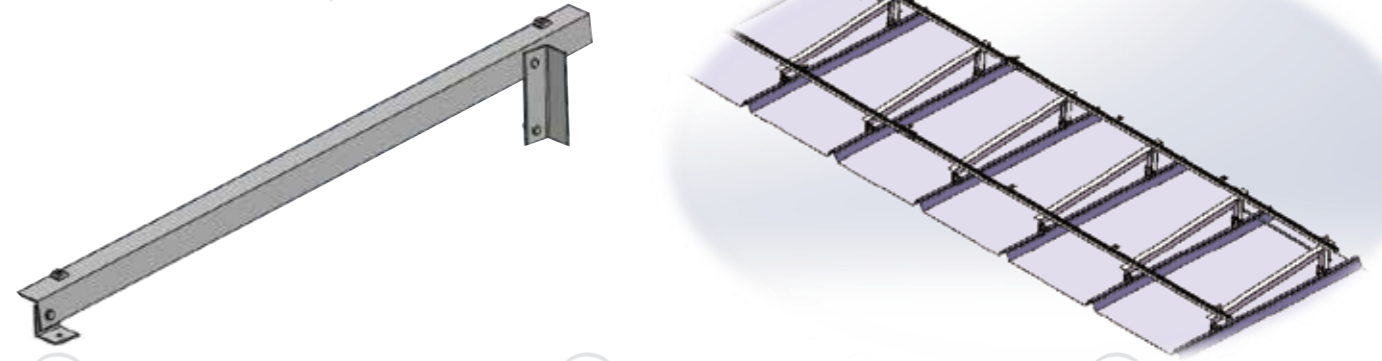
■ 特点优势

- 设计适用于多种屋顶, 可调角度范围有10-15°/15-30°/30-60°。
- 出厂前高度预安装, 安装简便, 节省人工成本和时间。
- 组件竖放, 高度可调节。
- 材质为阳极氧化铝Al6005-T5和不锈钢304, 均为15年质保。
- 支架适应极端天气, 并获得澳洲AS/NZS 1170 及SGS 和MCS 等国际认证。

■ Features Benefits

- Designed to mount solar panels on various roofs at required adjustable angles.10-15°/15-30°/30-60°.
- Highly factory assembled,provide easy installation, which saves labor cost and time.
- Portrait orientation,adjustable height.
- Anodised Aluminum Al6005-T5 and Stainless Steel SUS 304,with 15 years product warranty.
- Can stand up to the extreme weather,complied with AS/NZS 1170 and other international standards such as SGS,MCS etc.

彩钢瓦北坡加高角度支架
Tilt Mount on North Slope



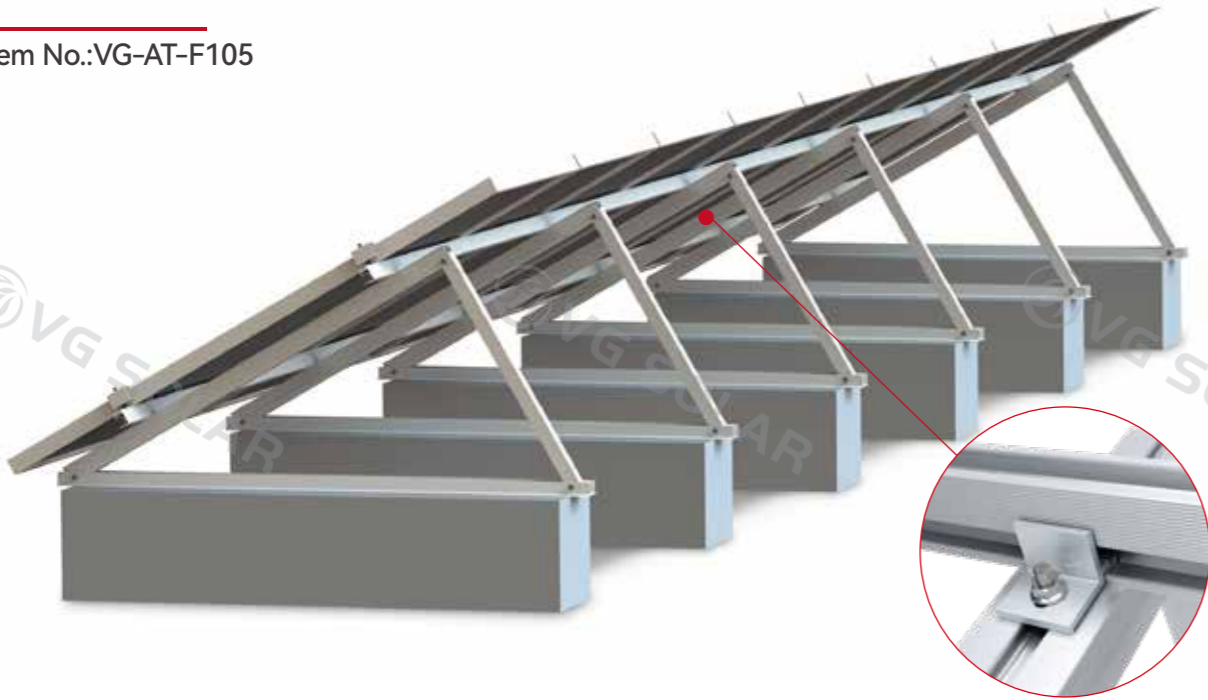
■ 项目案例/Project References



可调三脚架-铝

Adjustable Tripod Mount(Aluminum)

Item No.:VG-AT-F105



预安装折叠状态三脚架
Foldable Tripod Mounting

展开状态下三脚架
Unfold Tripod Mounting



■ 特点优势

- 适用于平面屋顶或地面。
- 可调角度范围为10-25° 或 25-35°，出厂高度预安装，安装简便，节省人工成本和时间。
- 组件竖放。
- 材质为阳极氧化铝Al6005-T5和不锈钢304,均为15年质保。
- 支架适应极端天气,并获得澳洲AS/NZS 1170 及SGS 和MCS 等国际认证。

■ Features Benefits

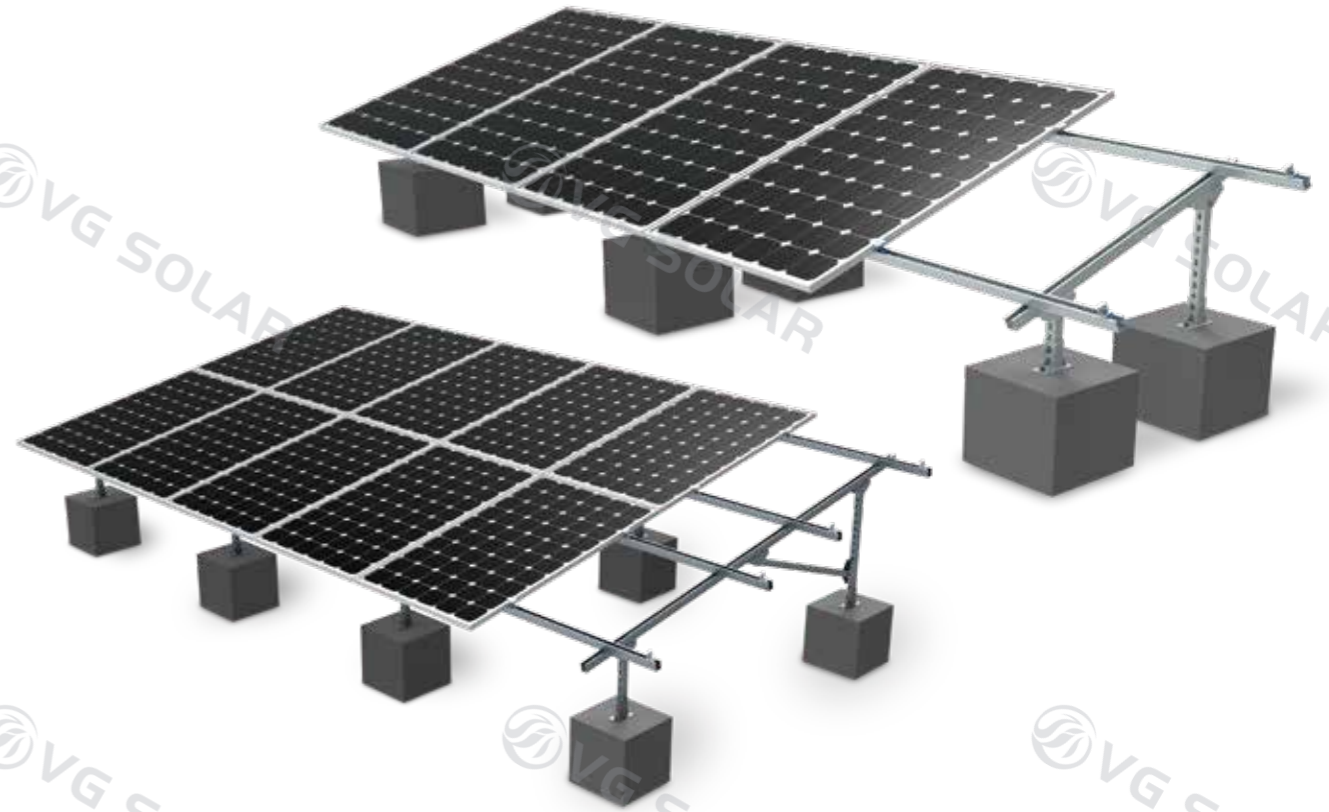
- Suitable for Flat Rooftop/Ground.
- Tilt Angle adjustable 10-25 or 25-35 Degree.Highly factory assembled,provide easy installation, which saves labor cost and time.
- Portrait orientation.
- Anodised Aluminum Al6005-T5 and Stainless Steel SUS 304,with 15 years product warranty .
- Can stand up to the extreme weather,complied with AS/NZS 1170 and other international standards such as SGS,MCS etc.

平屋面支架(钢)

Flat Roof Mount(Steel)

单排 Single Panel Layout

Item No.:VG-FR-F106

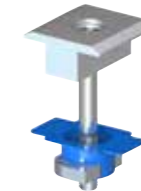


双排 Dual Panels Layout

Item No.:VG-FR-F107



中压/Mid Clamp



侧压/End Clamp



■ 特点优势

- 适用于平面屋顶或地面。
- 组件可横放或竖放, 支架支持定制化, 安装简便。
- 支架适应极端天气,并获得澳洲AS/NZS 1170及SGS和MCS 等国际认证。

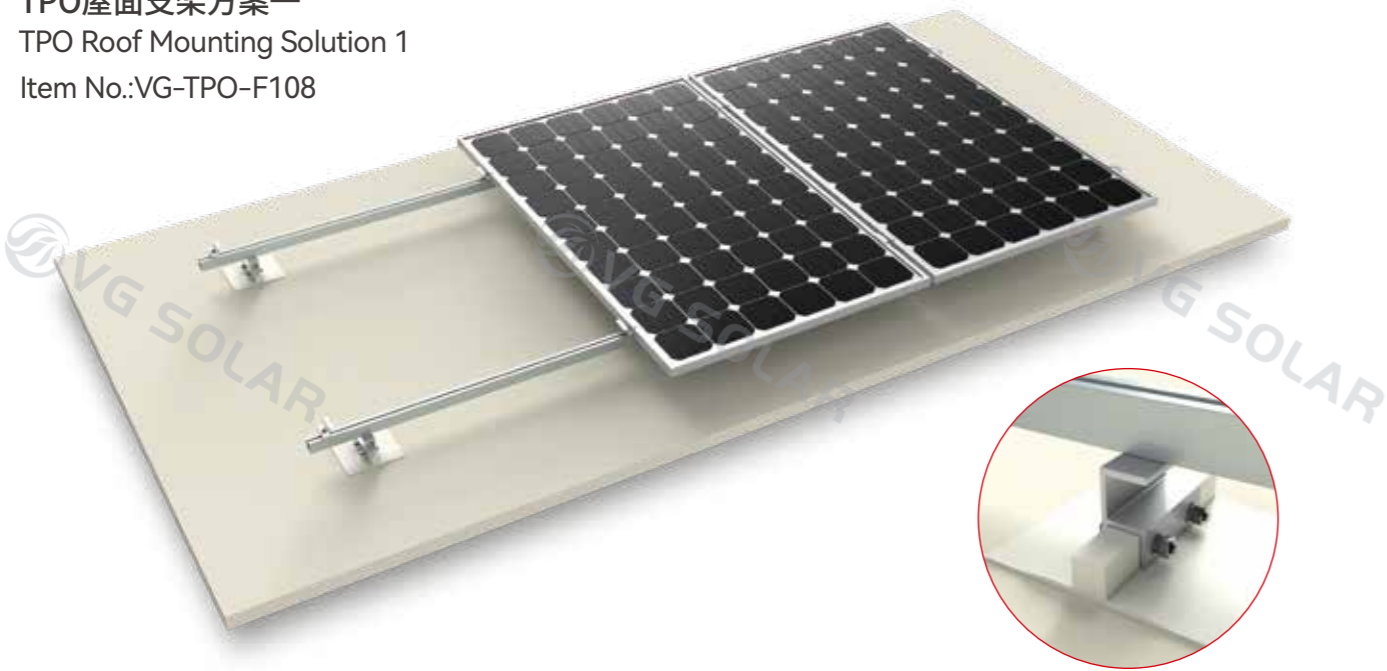
■ Features Benefits

- Suitable for Flat Rooftop/Ground.
- Portrait and Landscape orientation. Customized Design,Easy Installation.
- Can stand up to the extreme weather,complied with AS/NZS 1170 and other international standards such as SGS,MCS etc.

TPO屋面支架

TPO Roof Solar Mount

TPO屋面支架方案一
TPO Roof Mounting Solution 1
Item No.:VG-TPO-F108



光伏支架系统由一个TPO同材质的带导轨状底座和一块5mm铝合金支座组成,底座可以轻易的焊接在TPO防水卷材上,底座安装后,用M8不锈钢螺丝将铝垫块与底座连为一体作为光伏导轨支撑使用,通过这种方法,将光伏系统快速固定在TPO卷材上并且能承受相应的荷载。

The base can be easily welded to the TPO waterproof roll. Aluminum roof clamp and the base are connected as a whole with M8 stainless steel screws. In this way, the photovoltaic system is quickly fixed to the TPO membrane and can withstand the corresponding loads.

■ 特点优势

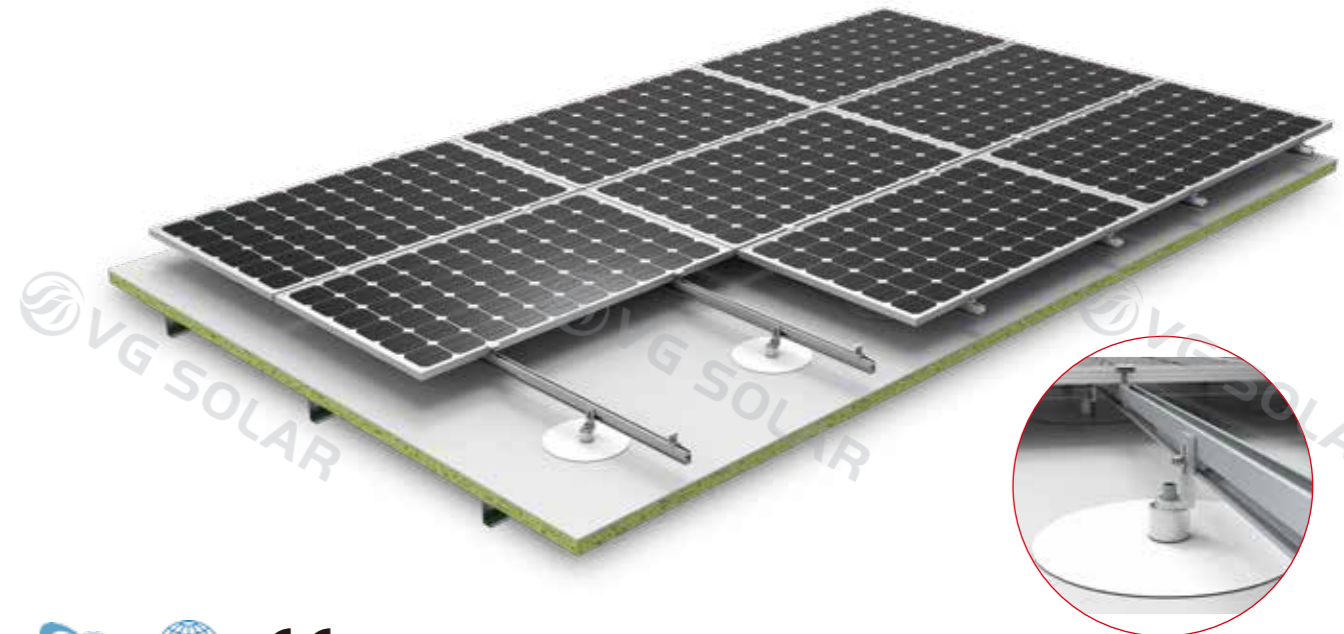
- 安装时无需穿透原屋面防水面层, 杜绝防水隐患。
- 对施工人员要求较低, 仅需简单培训即可完成底座安装。
- 组件底座布置灵活性高, 方便调整修正。
- 底座轻量化, 单个底座仅300g, 对屋面荷载影响较小。
- 综合造价低, 适用于绝大多数的TPO、PVC柔性屋面防水系统。

■ Features Benefits

- Not necessary to penetrate the original roof waterproof surface eliminating the water leakage problem.
- The knowledge requirements for construction personnel is not high, and the foundation installation can be completed only by simple training.
- Easy adjustment and installation.
- The foundation is lightweight, and the single foundation is only 300g, which has little impact on the roof load.
- Low comprehensive cost, applicable to most TPO PVC flexible roof waterproof systems.



TPO屋面支架方案二
TPO Roof Mounting Solution 2
Item No.:VG-TPO-F108



■ 特点优势

- 强度和高度可以根据客户要求定制。
- 3-2.5kg/m²轻量化设计, 减轻屋面荷载压力。
- 与屋面刚性连接, 具有优异的抗风揭性, 系统更稳定。
- 可适用于混凝土屋面、金属屋面、木质结构等不同基层。

■ Features Benefits

- Thread strength and height can be adjusted according to customer requirements.
- 3-2.5kg/m² lightweight design to reduce roof load pressure.
- It is rigidly connected with the roof and has excellent resistance to wind exposure, making the system more stable.
- It can be applied to different bases such as concrete roof, metal roof and wooden structure.

■ 项目案例/Project References



阳台支架系统

Balcony Solar Mounting

VG-KJ-02-C01



参数

尺寸	宽度800~1300mm,长度1650~2400mm
材质	AL6005-T5+SUS304+EPDM
可调节角度	15-30°
重量	≈2.5kg
安装工具	内六角扳手、卷尺

Parameter

Dimension	Weight 800~1300mm,Length1650~2400mm
Material	AL6005-T5+SUS304+EPDM
Adjustable angle	15-30°
Weight	≈2.5kg
Install tools	Hex key, tape measure

产品优势/Product Advantages

- 成本低
Low cost
- 可灵活安装
Flexible installation
- 角度可调节,提高发电量
Adjust tilt to increase power generation

包装/Package

a=260mm;b=60mm;c=460mm
20GP: 3040 kits
40GP: 6080 kits



VG-DX-02-C01

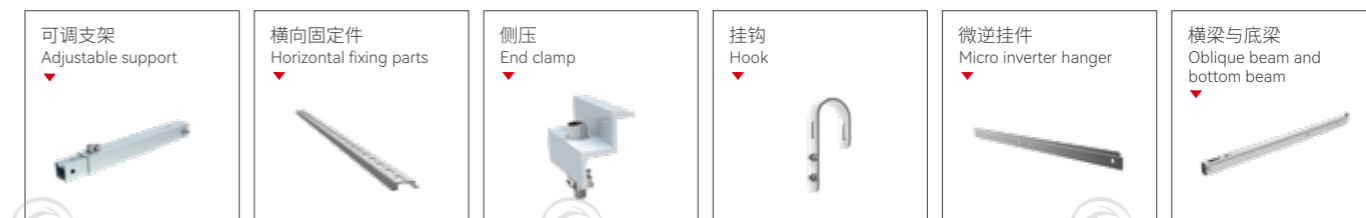


参数

尺寸	宽度800~1300mm,长度1650~2400mm
材质	S350GD+ZM/AL6005-T5/SUS304
可调节角度	15-50°
重量	≈5.7kg
安装工具	内六角扳手、卷尺

Parameter

Dimension	Weight 800~1300mm,Length1650~2400mm
Material	S350GD+ZM/AL6005-T5/SUS304
Adjustable angle	15-50°
Weight	≈5.7kg
Install tools	Hex key, tape measure



系统运用场景/System Application Scenario



产品优势/Product Advantages

- 结构稳固
Stable structure
- 模块化设计,可灵活安装
Modular design for flexible installation
- 可匹配不同场景,以最优角度提升发电量
Match different site situation to boost power generation at the optimal angle

包装/Package

a=220mm;b=70mm;c=1460mm
20GP: 1200 kits
40GP: 2400 kits

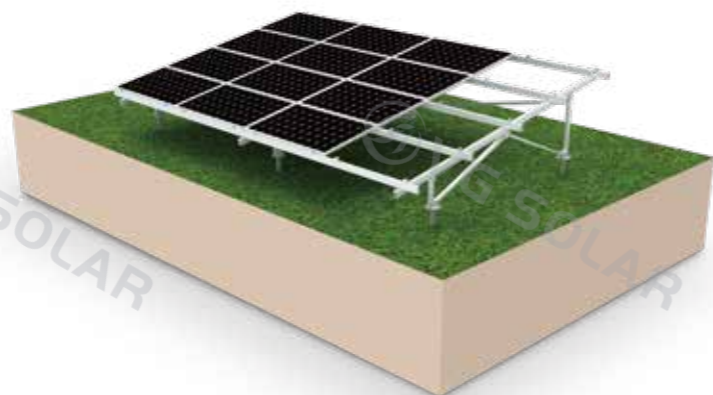


全铝5代支架 Aluminum Ground Mount

竖放 Portrait
Item No.:VG-AG-P01



横放 Landscape
Item No.:VG-AG-L02



项目案例/Project References



锤入桩支架 Ramming Pile Ground Mount

Item No.:VG-RP-P03



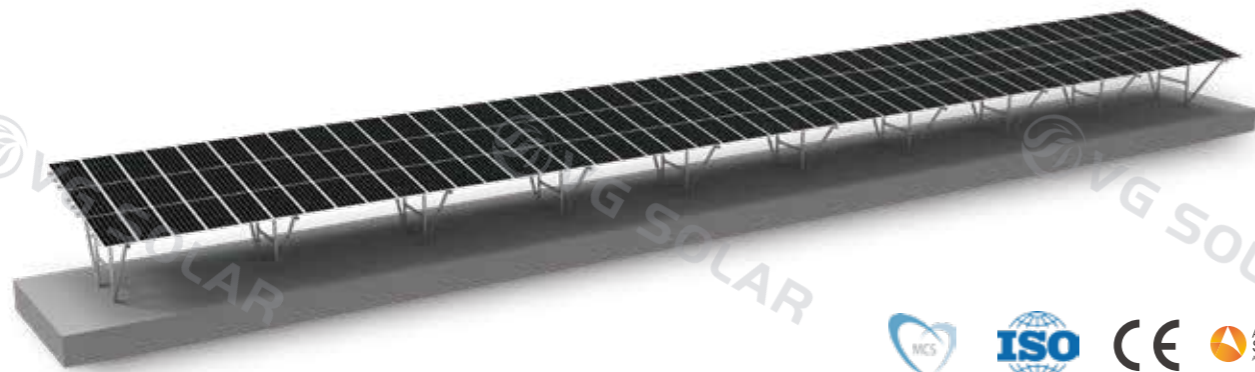
项目案例/Project References



车棚-铝

Solar Carport(Aluminum)

Item No.:VG-SC-A01

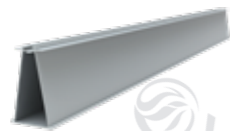


斜梁/Main Beam

导轨/Rail

立柱/Post

底座/Base



■ 特点优势

- 设计风格:结构轻量化、时尚美观
- 结构设计:方管主体、螺栓连接
- 横梁设计:C型碳钢/铝合金防水

■ Features Benefits

- Design style: light structure, simple and practical
- Structural design: square tube main body, bolted connection
- Beam design: C-type carbon steel/aluminum alloy waterproof

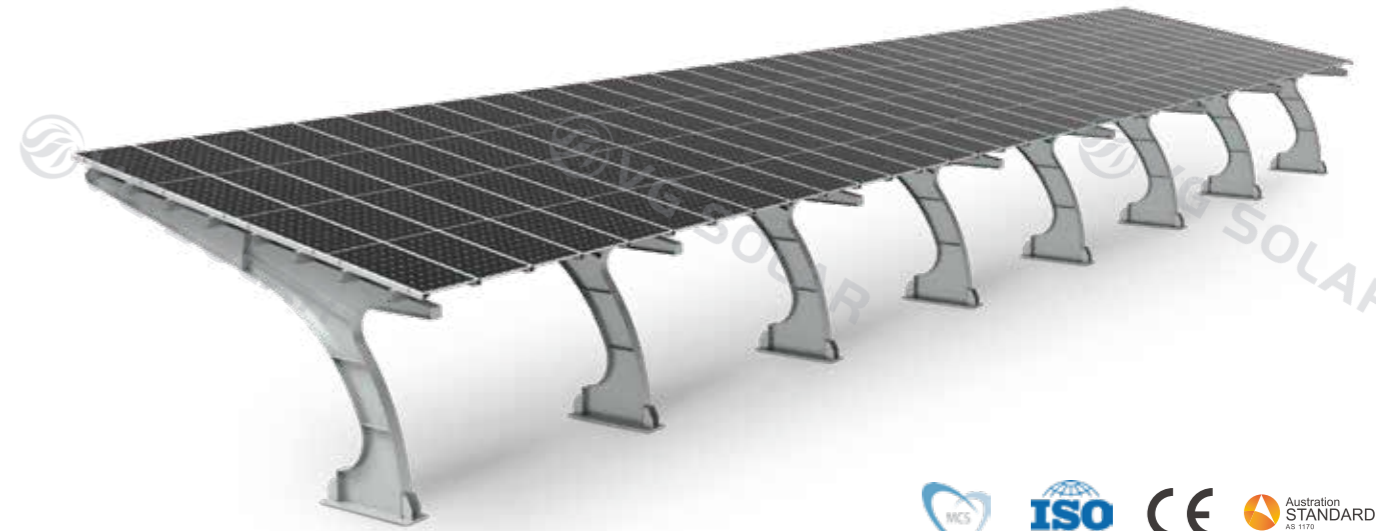
■ 项目案例/Project References



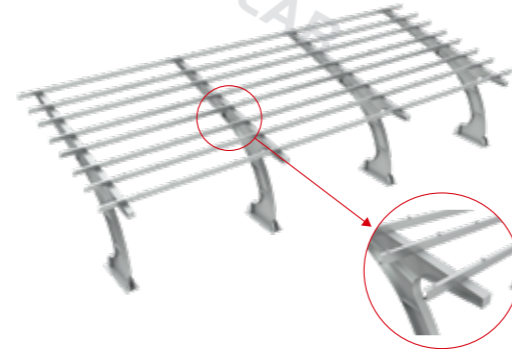
车棚-钢

Solar Carport(Steel)

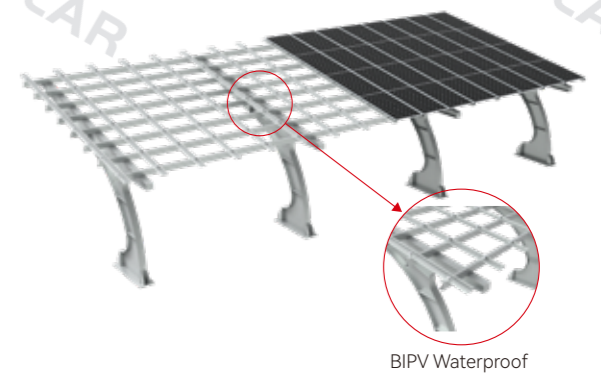
Item No.:VG-SC01



钢车棚支架
Steel Carport System
Item No.:VG-SC-01



BIPV防水车棚支架
BIPV Waterproof System
Item No.:VG-SC-02



BIPV Waterproof

■ 特点优势

- 设计风格:简单大方、坚固耐用
- 结构设计:铆焊工艺、一体成型
- 横梁设计:C型碳钢/铝合金防水

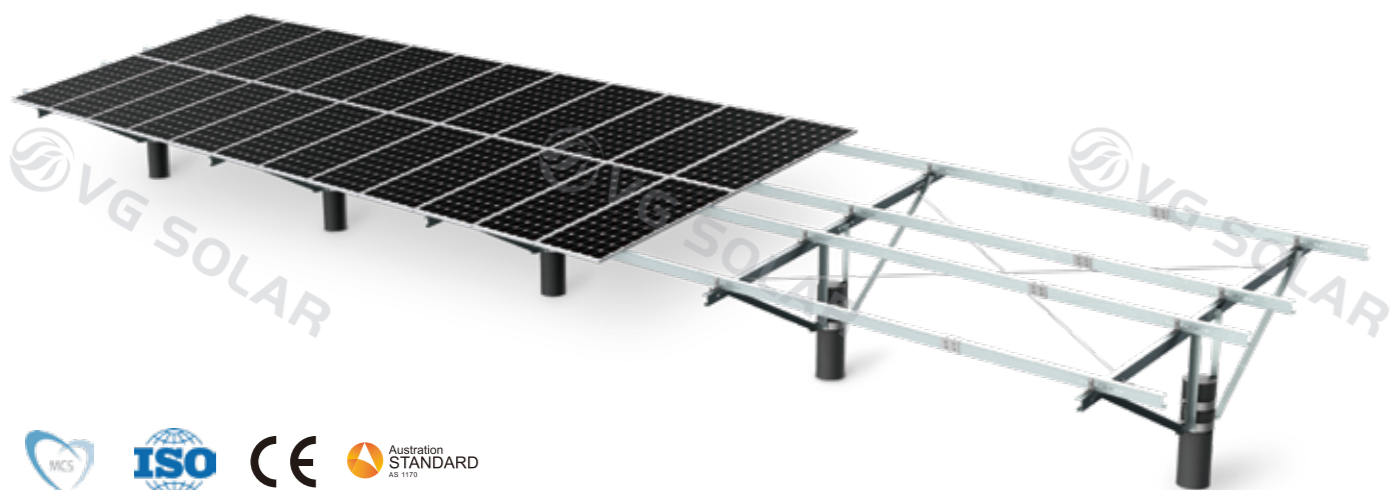
■ Features Benefits

- Design style: simple and generous, sturdy and durable
- Structural design: riveting and welding process, integrated molding
- Beam design: C-type carbon steel/aluminum alloy waterproof

农/渔光互补支架

Agriculture-Fishery Mount

Item No.:VG-AG01

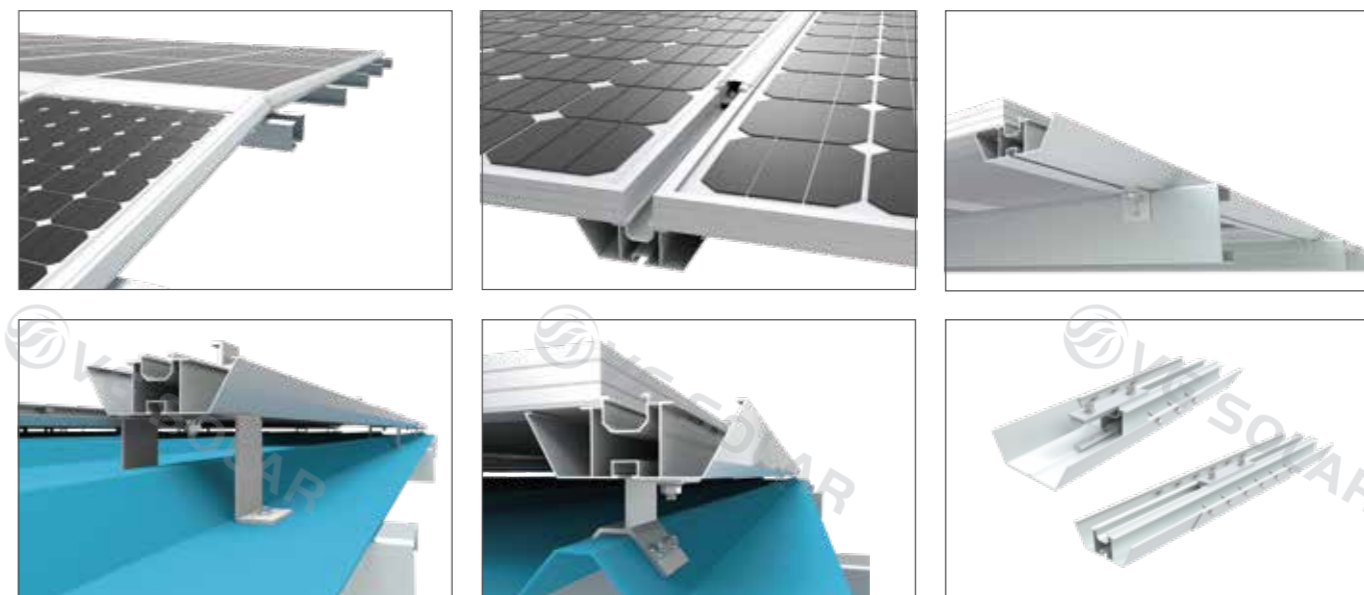


项目案例/Project Case



光伏建筑一体化

BIPV Mount



光伏建筑一体化简称BIPV,不同于光伏系统附着在建筑上的形式,BIPV是一种将太阳能发电(光伏)产品集成到建筑上的技术。光伏建筑一体化分为两大类:一类是光伏方阵与建筑的结合,另一类是光伏方阵与建筑的集成。

Building Integrated Photovoltaic (BIPV) is a technology that integrates solar power generation (PV) products into buildings, unlike the form of PV systems attached to buildings. PV building integration is divided into two categories: one is the combination of PV arrays and buildings, and the other is the integration of PV arrays and buildings.

项目案例/Project Case



跟踪系统

Solar Tracker System

VTracker跟踪系统
Vtracker System
Item No.:VG-VT01



VTracker跟踪系统采用单排多点驱动设计,组件两块竖装布置,可适用于所有组件规格,单排最多可安装150块组件,立柱数量少,极大节省土建成本。

VTracker system adopts single-row multi-point drive design. In this system, two pieces of modules are vertical arrangement. It can be used for all module specifications. Single-row can install up to 150 pieces, and column number is smaller than other systems, which can great savings in civil construction costs.

系统特点/System Features



双面组件最佳解决方案

该系统可保证双面组件背面无遮挡,最大限度提升发电量,同时与市面上所有商用光伏组件兼容。

The best solution for two-sided modules

This system ensures that the back of the bifacial modules is unobstructed, maximizes power generation, and is compatible with all commercial PV modules on the market.



更好的地形适应性

该系统可满足南北坡度20°。

Better terrain adaptability

The system can satisfy the north-south slope of 20°.



更强的抗风能力

维旺专利的结构设计,每排采用4套(外围5套)槽轮驱动,能在强风天气下保证系统运行的稳定性。

Greater wind resistance

VG SOLAR patented structure design, each row uses 4 sets (peripheral : 5 sets) groove wheel drive, can guarantee the stability of the system operation in strong wind weather.



可安装4个组串的组件

该系统是可兼容1500V系统的4组串(最多5组串)的智能跟踪系统,大幅度降低光伏电站的布线成本。

This system can install 4 groups of modules

The system is an intelligent tracking system, which is compatible with 1500V system of 4 groups (up to 5 groups), greatly reduces the wiring cost of photovoltaic power station.



更少的地桩数量

如安装550W组件,每兆瓦只需使用157个地桩(最少122)。

A smaller number of piles

Such as installation of 550W module requires only 157 piles per megawatt (at least 122).



更好的通过性

排间距可达6.5~12米。

Better passability

The row spacing can reach 6.5 ~ 12 meters.

产品参数/Product Parameters

系统基本参数

驱动形式	槽轮
基础形式	水泥基础、锤入式钢桩
装机容量	最多150块组件/排
组件类型	各类型均可适用
跟踪范围	±60°
组件排布	两块竖装
土地覆盖率	30-50%
最小离地距离	0.5m(根据项目需求)
系统寿命	大于30年
保护风速	24m/s(根据项目需求)
抗风能力	47m/s(根据项目需求)
质保期限	支架5年,电气5年
执行标准	《钢结构设计规范》 《建筑结构荷载规范》 《CPP风洞实验报告》 UL2703/UL3703, AISC360-10 ASCE7-10(根据项目需求)

Basic parameters of the system

Driving type	Grooved wheel
Foundation type	Cement foundation, steel pile
Installation capacity	Up to 150 modules /row
Module types	All types are applicable
Tracking range	±60°
Layout	Vertical (two modules)
Land coverage	30-50%
Minimum ground clearance	0.5m (according to project requirements)
System life	more than 30 years
Protection wind speed	24m/s (according to project requirements)
Wind resistance	47m/s (according to project requirements)
Warranty period	Tracking system 5 years/controlling cabinet 5 year
Implementation standards	"Steel structure design code" "Building structures load code" "CPP wind tunnel test report" UL2703/UL3703, AISC360-10 ASCE7-10(according to project requirements)

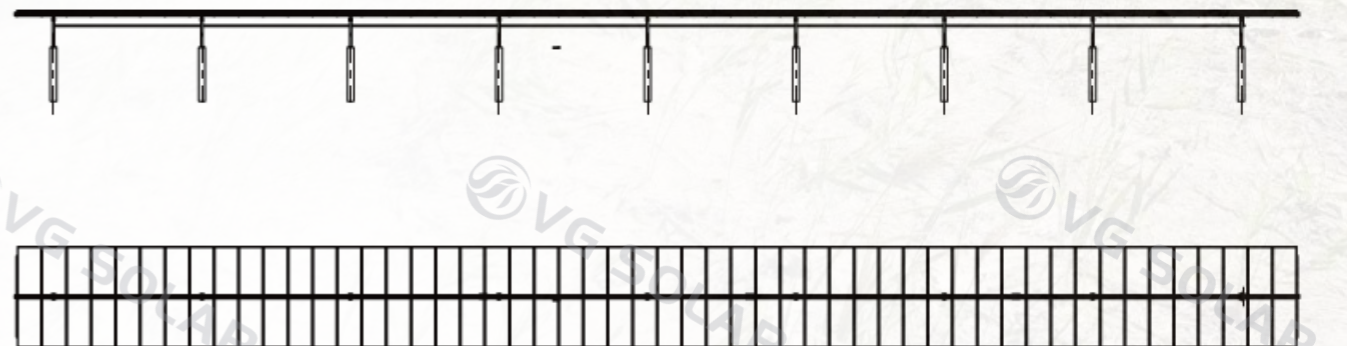
电气系统基本参数

控制方式	MCU
跟踪精度	0.2°
防护等级	IP66
环境温度	-40°C~70°C
供电方式	交流取电/组件取电
检测装置	SCADA
通讯方式	Zigbee/Modbus
系统功耗	350kwh/MW/年

Electrical system parameters

Control mode	MCU
Tracking accuracy	0.2°
Protection grade	IP66
Temperature adaptation	-40°C~70°C
Power supply	AC power extraction/module power extraction
Detection sevice	SCADA
Communication mode	Zigbee/Modbus
Power consumption	350kwh/MW/year

参考尺寸/Reference Dimensions



两块竖装, 4个组串(最多5个组串)

跟踪系统

Solar Tracker System

ITracker跟踪系统
ITracker System
Item No.:VG-IT01



ITracker跟踪系统采用单排单点驱动设计,组件一块竖装布置,可适用于所有组件规格,单排最多可安装90块组件,可采用自供电系统。

ITracker tracking system use single-row single-point drive design, one panel vertical layout can be applied to all component specifications, single row can install up to 90 panels, using self-powered system.

系统特点/ System Features



具备自供电功能

该系统具备自供电功能,可组件取电直供电机,节省布线成本。

Self powered function

The system has the function of self power supply, the motor can take power directly from the panel, save the wiring cost.



更强的抗风能力

维旺专利设计,采用承载力更强的槽轮+减速机驱动,搭配4个阻尼器使用。

Greater wind resistance

VG SOLAR have designed patented, using a stronger bearing capacity of the groove wheel +reducer drive, matched with 4 dampers.



可安装3个组串的组件

该系统是可兼容1500V系统的3组串的智能跟踪系统。

This system can install 3 groups of modules

The system is compatible with 1500V system of 3 strings of intelligent tracking system.



更好的地形适应性

该系统可满足南北坡度20°。

Better terrain adaptability

The system can meet the north-south gradient of 20°.



免维护

维旺专利设计,采用槽轮+减速机驱动,RV减速机可以做到终身免维护。

Maintenance Free

VG SOLAR have designed patented, using the design of groove wheel +reducer drive, reducer is maintenance free for life.

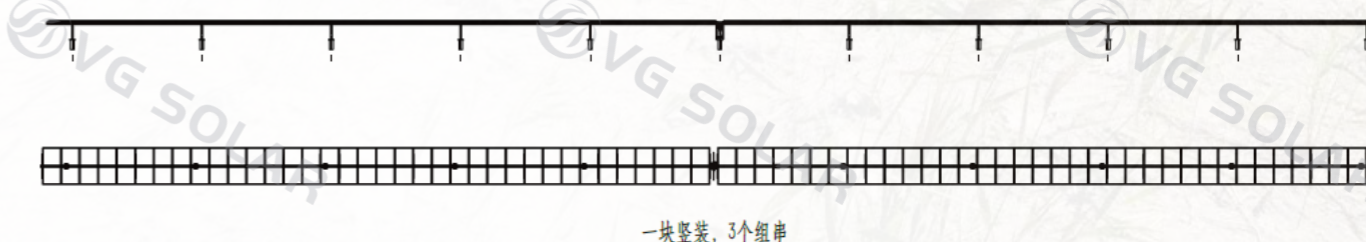
产品参数/Product Parameters

系统基本参数		Basic parameters of the system	
驱动形式	槽轮+减速机驱动	Driving type	Chain Wheel+reducer
基础形式	水泥基础、锤入式钢桩	Foundation type	Cement foundation, steel pile
装机容量	最多90块组件/排	Installation capacity	Up to 90 modules /row
组件类型	各类型均可适用	Module types	All types are applicable
跟踪范围	±60°	Tracking range	±60°
组件排布	一块竖装	Layout	Vertical (one modules)
土地覆盖率	30-50%	Land coverage	30-50%
最小离地距离	0.5m(根据项目需求)	Minimum distance from the ground	0.5m (according to project requirements)
系统寿命	大于30年	System Life	more than 30 years
保护风速	24m/s(根据项目需求)	Protection wind speed	24m/s (according to project requirements)
抗风能力	47m/s(根据项目需求)	Wind resistance	47m/s (according to project requirements)
质保期限	支架5年,电气5年	Warranty period	Tracking system 5 years/controlling cabinet 5 year
执行标准	《钢结构设计规范》 《建筑结构荷载规范》 《CPP风洞实验报告》 UL2703/UL3703, AISC360-10 ASCE7-10(根据项目需求)	Implementation standards	“Steel structure design code” “Building structures load code” “CPP wind tunnel test report” UL2703/UL3703, AISC360-10 ASCE7-10(according to project requirements)

电气系统基本参数

电气系统基本参数		Electrical system parameters	
控制方式	MCU	Control mode	MCU
跟踪精度	0.2°	Tracking accuracy	0.2°
防护等级	IP66	Protection grade	IP66
环境温度	-40°C~70°C	Temperature adaptation	-40°C~70°C
供电方式	交流取电/组件取电	Power supply	AC power extraction/module power extraction
检测装置	SCADA	Detection sevice	SCADA
通讯方式	Zigbee/Modbus	Communication mode	Zigbee/Modbus
系统功耗	150kwh/MW/年	Power consumption	150kwh/MW/year

参考尺寸/Reference Dimensions



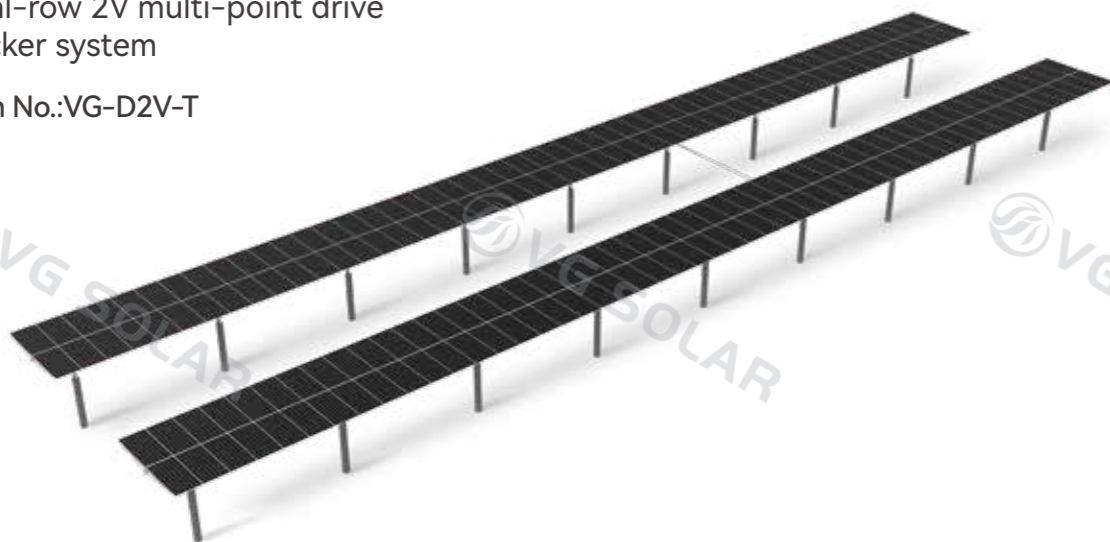
跟踪系统

Solar Tracker System

双排2V多点驱动跟踪系统

Dual-row 2V multi-point drive tracker system

Item No.:VG-D2V-T



双排2V多点驱动跟踪系统,组件两块竖装布置,可适用于所有组件规格,单排最多可安装150块组件,双排联动总共可安装300块组件,立柱数量少,极大节省土建成本。

Dual-row 2V multi-point drive tracker system,with two panel vertical layout,which is applicable to all solar panel specifications. Single row can install up to 150 pcs panel and dual row linkage can install 300 pcs panel in total. The number of post is reduced and greatly saving civil construction costs.

系统特点/System Features



双面组件最佳解决方案

该系统可保证双面组件背面无遮挡,最大限度提升发电量,同时与市面上所有商用光伏组件兼容。

The best solution for two-sided modules

This system ensures that the back of the bifacial modules is unobstructed, maximizes power generation, and is compatible with all commercial PV modules on the market.



更好的地形适应性

该系统可满足南北坡度20°。

Better terrain adaptability

The system can satisfy the north-south slope of 20°.



更强的抗风能力

维旺专利的结构设计,每排采用4套(外围5套)槽轮驱动,能在强风天气下保证系统运行的稳定性。

Greater wind resistance

VG SOLAR patented structure design, each row uses 4 sets (peripheral: 5 sets) groove wheel drive, can guarantee the stability of the system operation in strong wind weather.



可安装8个组串的组件

该系统是可兼容1500V系统的8组串(最多10组串)的智能跟踪系统,大幅度降低光伏电站的布线成本。

This system can install 8 groups of modules

The system is an intelligent tracker system, which is compatible with 1500V system with 8 strings (maximum to 10 strings), which greatly reduces the wiring cost.



更少的地桩数量

如安装550W组件,每兆瓦只需使用157个地桩(最少122)。

A smaller number of piles

Such as installation of 550W module requires only 157 piles per megawatt (at least 122).



双排联动

控制柜数量和电机数量减半,便于后期运维。

Dual row linkage

The number of control cabinets and motors is halved, which is convenient for operation and maintenance later.

产品参数/Product Parameters

系统基本参数

驱动形式	槽轮
基础形式	水泥基础、锤入式钢桩
装机容量	最多300块组件/排
组件类型	各类型均可适用
跟踪范围	±60°
组件排布	两块竖装
土地覆盖率	30-50%
最小离地距离	0.5m(根据项目需求)
系统寿命	大于30年
保护风速	24m/s(根据项目需求)
抗风能力	47m/s(根据项目需求)
质保期限	支架5年,电气5年
执行标准	《钢结构设计规范》 《建筑结构荷载规范》 《CPP风洞实验报告》 UL2703/UL3703, AISC360-10 ASCE7-10(根据项目需求)

Basic parameters of the system

Driving type	Grooved wheel
Foundation type	Cement foundation, steel pile
Installation capacity	Up to 300 modules /row
Module types	All types are applicable
Tracking range	±60°
Layout	Vertical (two modules)
Land coverage	30-50%
Minimum distance from the ground	0.5m (according to project requirements)
System life	more than 30 years
Protection wind speed	24m/s (according to project requirements)
Wind resistance	47m/s (according to project requirements)
Warranty period	Tracking system 5 years/controlling cabinet 5 year
Implementation standards	"Steel structure design code" "Building structures load code" "CPP wind tunnel test report" UL2703/UL3703, AISC360-10 ASCE7-10(according to project requirements)

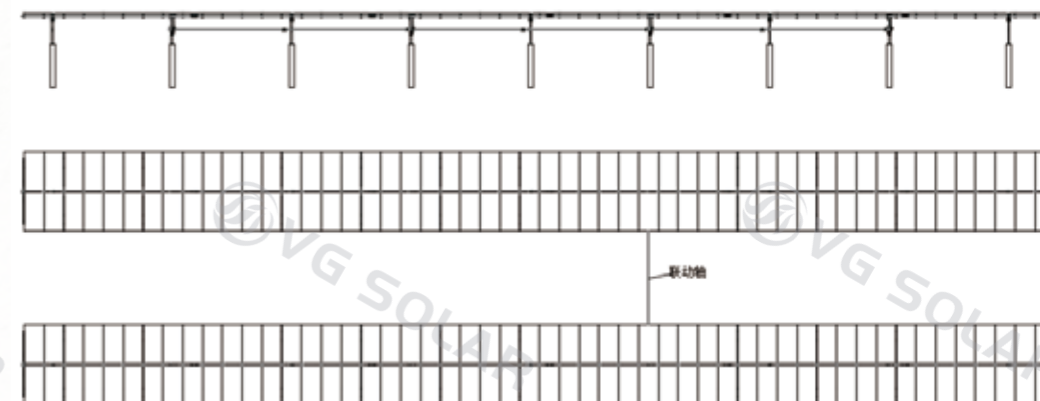
电气系统基本参数

控制方式	MCU
跟踪精度	0.2°
防护等级	IP66
环境温度	-40°C~70°C
供电方式	交流取电/组件取电
检测装置	SCADA
通讯方式	Zigbee/Modbus
系统功耗	350kwh/MW/年

Electrical system parameters

Control mode	MCU
Tracking accuracy	0.2°
Protection grade	IP66
Temperature adaptation	-40°C~70°C
Power supply	AC power extraction/module power extraction
Detection sevice	SCADA
Communication mode	Zigbee/Modbus
Power consumption	350kwh/MW/year

参考尺寸/Reference Dimensions



两块竖装, 4个组串(最多6个组串)

跟踪系统

Solar Tracker System

双排1V单点独立驱动跟踪系统

Dual-row 1V single-point drive tracker system

Item No.:VG-D1V-T



双排1V单点独立驱动跟踪系统,组件一块竖装布置,可适用于所有组件规格,单排最多可安装90块组件,双排联动总共可安装180块组件,可采用自供电系统。

The dual-row 1V single-point drive tracker system, with one panel vertically, can be applied to all panel specifications. Up to 90 panels can be installed in a single row, and 180 panels can be installed in the dual-row linkage system. Using self-powered system.

系统特点/System Features



具备自供电功能

该系统具备自供电功能,可组件取电直供电机,节省布线成本。

Self powered function

The system has the function of self power supply, the motor can take power directly from the panel ,save the wiring cost.



更强的抗风能力

维旺专利设计,采用承载力更强的槽轮+RV减速机驱动,搭配4个阻尼器使用。

Greater wind resistance

VG SOLAR have designed patented, using a stronger bearing capacity of the groove wheel +RV reducer drive, matched with 4 dampers.



可安装6个组串的组件

该系统是可兼容1500V系统的6组串的智能跟踪系统。

This system can install 6 groups of modules

The system is an intelligent tracking system, which compatible with 1500V system of 6 groups.



更好的地形适应性

该系统可满足南北坡度20°。

Better terrain adaptability

The system can satisfy the north-south slope of 20°.



免维护

维旺专利设计,采用槽轮+RV减速机驱动, RV减速机可以做到终身免维护。

Maintenance free

VG Solar have designed patented, using the design of groove wheel +RV reducer drive, RV reducer is maintenance free for life.



双排联动

控制柜数量和电机数量减半,便于后期运维。

Dual row linkage

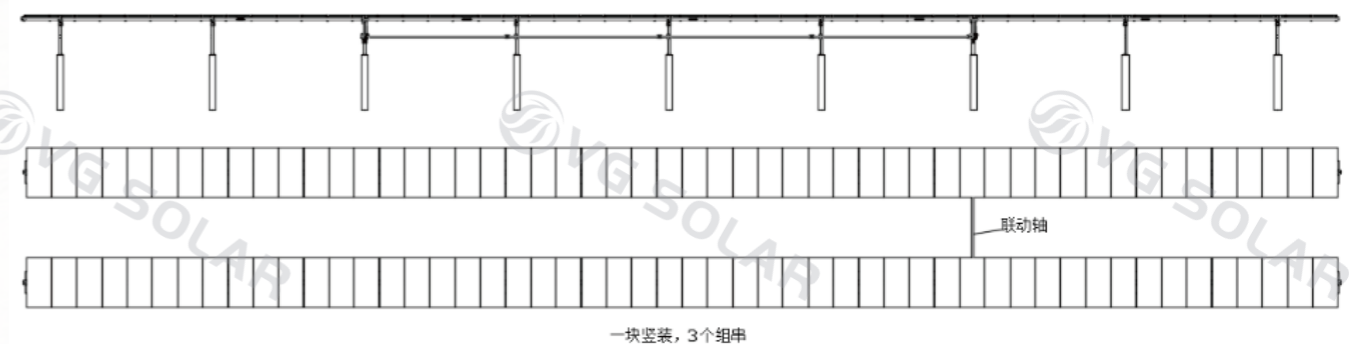
The number of control cabinets and motors is halved, which is convenient for operation and maintenance later.

产品参数/Product Parameters

系统基本参数		Basic parameters of the system	
驱动形式	槽轮+RV减速机	Driving type	Chain Wheel+RV reducer
基础形式	水泥基础、锤入式钢桩	Foundation type	Cement foundation, steel pile
装机容量	最多180块组件/排	Installation capacity	Up to 180 modules /row
组件类型	各类型均可适用	Module types	All types are applicable
跟踪范围	±60°	Tracking range	±60°
组件排布	一块竖装	Layout	Vertical (one modules)
土地覆盖率	30-50%	Land coverage	30-50%
最小离地距离	0.5m (根据项目需求)	Minimum distance from the ground	0.5m (according to project requirements)
系统寿命	大于30年	System Life	more than 30 years
保护风速	24m/s (根据项目需求)	Protection wind speed	24m/s (according to project requirements)
抗风能力	47m/s (根据项目需求)	Wind resistance	47m/s (according to project requirements)
质保期限	支架5年,电气5年	Warranty period	Tracking system 5 years/controlling cabinet 5 year
执行标准	《钢结构设计规范》 《建筑结构荷载规范》 《CPP风洞实验报告》 UL2703/UL3703, AISC360-10 ASCE7-10 (根据项目需求)	Implementation standards	“Steel structure design code” “Building structures load code” “CPP wind tunnel test report” UL2703/UL3703, AISC360-10 ASCE7-10(according to project requirements)

电气系统基本参数		Electrical system parameters	
控制方式	MCU	Control mode	MCU
跟踪精度	0.2°	Tracking accuracy	0.2°
防护等级	IP66	Protection grade	IP66
环境温度	-40°C~70°C	Temperature adaptation	-40°C~70°C
供电方式	交流取电/组件取电	Power supply	AC power extraction/module power extraction
检测装置	SCADA	Detection sevice	SCADA
通讯方式	Zigbee/Modbus	Communication mode	Zigbee/Modbus
系统功耗	150kwh/MW/年	Power consumption	150kwh/MW/year

参考尺寸/Reference Dimensions



清扫机器人

Solar Panels Cleaning Robot

VG-CLR-01



Increased power generation 15-20%

产品优势/Product Advantages



超强的越障和纠偏能力

四轮全驱, 高扭矩, 内设传感器配合行走路线动态。调整, 自动纠正。

Superb overrun and deflection capability

Four-wheel all-wheel drive, high torque, built-in sensors with dynamic adjustment of the travel route and automatic correction.



多重安全防护

配备多种感应器, 适时监控清扫机器人状态, 配备防风限位装置, 确保清扫机器人安全;

Multiple security protection

Equipped with a variety of sensors, timely monitoring of the cleaning robot status, equipped with anti-wind limit device to ensure the safety of the cleaning robot.



产品可靠性强

模块化设计, 便于维护和保养; 成本更低廉。

High product reliability

Modular design for easy maintenance and servicing; lower cost.



多种方式控制运行

可采用手机app操控或电脑web监控, 一键启动, 精准控制, 可根据程序设定时间自动运行或手动模式运行。

Multiple ways to control operation

It can be controlled by mobile phone app or computer web monitoring, one-button start, precise control, automatic operation or manual operation according to the time set by the program.



环保绿色无污染

采用自供电系统, 不需要清洗剂, 清扫过程不会产生任何有害物质。

Environmental protection, green, pollution-free

Self-powered system is adopted, no cleaning agent is required, and no harmful substances are produced during the cleaning process.



材料轻型化

采用轻质材料, 对组件友好, 便于搬运和降低功耗, 耐腐蚀性强, 可满足户外使用要求。

Material lightweight

Lightweight materials are used, which are friendly to the components, easy to carry, and reduce power. Strong corrosion resistance to meet the requirements of outdoor use.

产品参数/Product Parameters

工作模式/Working mode

控制方式	手动/自动/远程遥控	Control mode	Manual/Automatic/Remote control
安装&行走	跨搭光伏组件之上	Installation & operation	Straddle on the PV module

场景要求/Scene requirements

相邻高度差	≤20mm	Adjacent height difference	≤20mm
相邻间隔差	≤20mm	Adjacent spacing difference	≤20mm
爬坡能力	15° (定制型25°)	Climbing capacity	15°(Customized 25°)




基本参数/Basic parameters

运行速度	10~15m/min	Running speed	10 ~ 15m/min
设备重量	≤50KG	Equipment weight	≤50KG
电池容量	20AH满足续航能力	Battery capacity	20AH meet the battery life
用电电压	直流24V	Electricity voltage	DC 24V
续航能力	1200m (定制型3000m)	Battery life	1200m(Customized 3000m)
防风能力	停机时防大风10级	Wind resistance	Anti-gale level 10 during shutdown
外形尺寸	(415+W) × 500 × 300	Dimension	(415+W) × 500 × 300
充电模式	自带光伏板发电+储能蓄电池	Charging mode	Self-contained PV panel power generation + energy storage battery
运行噪音	< 35dB	Running noise	< 35dB
工作温度范围	-25°C~+70°C (定制型-40°C~+85°C)	Operating temperature range	-25°C ~ +70°C(Customized -40°C ~ +85°C)
防护等级	IP65	Protection Degree	IP65
运行中环境影响	无不良影响	Environmental impact during operation	No adverse effects
请明确核心元器件具体参数及使用寿命: 如控制主板, 电机, 电池, 毛刷等	更换周期及有效使用寿命: 清扫毛刷 24个月 电池 24个月 电机 36个月 行走轮 36个月 控制主板 36个月	Clarify the specific parameters and service life of core components: such as control board, motor, battery, brush, etc.	Replacement cycle and effective service life: Cleaning brushes 24 months Battery 24 months Motor 36 months Traveling wheel 36 months Control board 36 months





应用案例/Application Cases







54 Rail Series

 VG-AJ-54 Name: Rail 54 Alu6005-T5 Specifications: A=28mm B=54mm C=2100/2200/4200/4400/5850mm	 VG-AJ-131-A001-P01 Name: Rail Splice Alu6005-T5 Specifications: A=29mm B=4mm C=120/150mm	 VG-AJ-223-A001-P02 Name: 54 Mid Clamp Alu6005-T5 Specifications: A=14.8mm B=17mm C=40mm Height: 30/35/40/45mm	 VG-AJ-202-A001-P01 Name: 54 End Clamp Alu6005-T5 Specifications: B=22.5mm C=40mm A: 30/35/40/45mm
--	--	--	---





42 Rail Series

 VG-AJ-42 Name: Rail 42 Alu6005-T5 Specifications: A=25mm B=42mm C=2100/2200/4200/4400/5850mm	 VG-AJ-322-A002-P01 Name: Rail Splice Alu6005-T5 Specifications: A=35mm B=160mm	 VG-AJ-222-A002-P01 Name: 42 Mid Clamp Alu6005-T5 Specifications: A=20mm B=60mm C=30-50mm	 VG-AJ-174-A001-P03 Name: 42 End Clamp Alu6005-T5 Specifications: A=60mm B=30-50mm
--	---	---	--


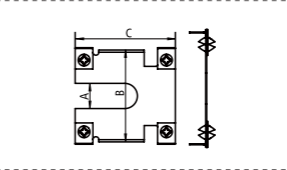
40 Rail Series

 VG-AJ-40 Name: Rail 40 Alu6005-T5 Specifications: A=30mm B=40mm C=4200/4500/5000/6000mm	 VG-AJ-125 Name: Rail Splice Alu6005-T5 Specifications: A=25.5mm B=12mm C=120/150mm	 VG-AJ-221-A001-P03 Name: 40 Mid Clamp Alu6005-T5 Specifications: A=37.8mm B=20.3mm C=50/60/80mm	 VG-AJ-182-A001-P02 Name: 40 End Clamp Alu6005-T5 Specifications: A=37.6mm B=36mm C=50mm
---	--	--	---

40H Rail Series


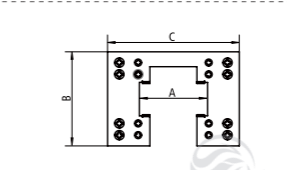
 VG-AJ-40H Name: Rail 40H Alu6005-T5 Specifications: A=40mm B=27.73mm C=4200/4500/5000/6000mm	 VG-AJ-131-A003-P01 Name: Rail Splice Alu6005-T5 Specifications: L=120mm	 VG-AJ-223-A001-P02 Name: 40H Mid Clamp Alu6005-T5 Specifications: A=14.8mm B=17mm C=40mm	 VG-AJ-202-A001-P01 Name: 40H End Clamp Alu6005-T5 Specifications: A=29.5mm B=22.5mm C=40mm
--	--	---	--

VG-MS-A001


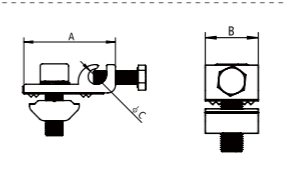
Name: Earthing Clip
Material: SUS304
Specifications: A=8.5mm B=31mm C=34mm

VG-MS-A002


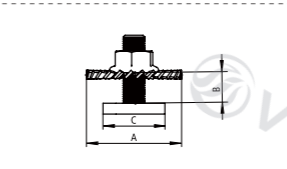
Name: Earthing Clip
Material: SUS304
Specifications: A=21mm B=40mm C=56mm

VG-AJ-620-A00-P01


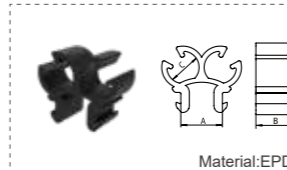
Name: Grounding Lug
Material: Cooper/Alu6005-T5
Specifications: A=42mm B=20mm C=7mm

VG-MS-A012-P01

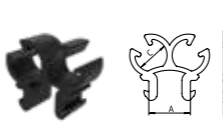
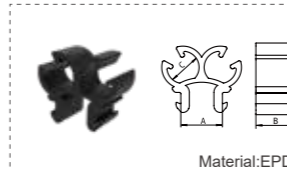



Name: Earthing Lug
Material: SUS304
Specifications: A=35mm B=14mm C=23mm

VG-MP-A003

Name: Single Hole Cable Clip
Material: EPDM
A=15mm B=15.3mm C=19mm


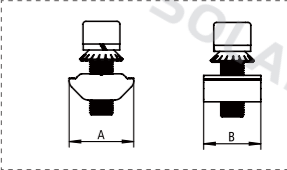
Name: Double Hole Cable Clip
Material: EPDM
A=14.7mm B=13mm C=11.4mm

VG-MP-A014




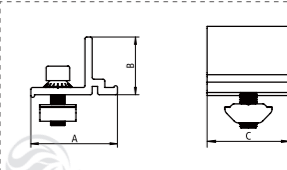

Name: Cable clip
Material: SUS304

VG-AJ-101-A001-P01


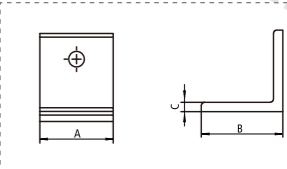
Name: D-nut Bolt (M8x25)
Material: Alu6005-T5
Specifications: A=22.8mm B=20mm

VG-AJ-137-A002-P01


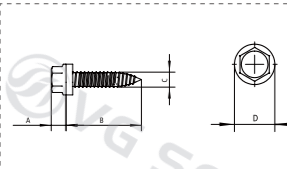
Name: Rail Rail Clip Kit
Material: Alu6005-T5
Specifications: A=48mm B=32mm C=40mm

VG-AJ-323-A003


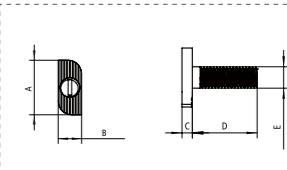
Name: L-angle
Material: Alu6005-T5
Specifications: A=40mm B=48mm C=5.5mm

VG-LSDD-A01M630


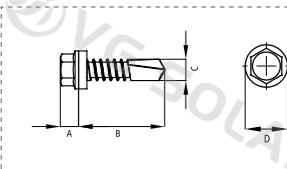
Name: Tapping Screw
Material: Dacromet
Specifications: A=5.3mm B=27mm C=5.5mm D=11mm

VG-LSDT-A01

Name: T-bolt
Material: SUS304
Specifications: A=22.74mm B=9.74mm C=4mm D=25 E=M8

VG-LSZ-P04ST6325

Name: Tapping Screw
Material: SUS304
Specifications: A=5.4mm B=25mm C=5.5mm D=11mm

车载支架 | RV Van Solar Mount

Ideal for RV, Boat, Caravan, Ambulance and other Mobile Applications

01



材质: 铝合金
Material: Aluminum 6005-T5



02



材质: ABS, 抗紫外线
Material: ABS, UV resistance



光伏连接件 | PV Connector

▶ 型号: VG-MC4-A001
名称: MC4单连接器
包装: 500套/包

Model: VG-MC4-A001
Name: MC4 Single Connector
Packing: 500 SETS/PKG

▶ 型号: VG-MC4-A002
名称: MC4 2分支连接器
包装: 100套/包

Model: VG-MC4-A002
Name: MC4 2-Branch Connector
Packing: 100 SETS/PKG

▶ 型号: VG-MC4-A003
名称: MC4 3分支连接器
包装: 100套/包

Model: VG-MC4-A003
Name: MC4 3-Branch Connector
Packing: 100 SETS/PKG

光伏电缆 | PV Cable

导体: 镀锡退火铜

绝缘: 120°C交联聚乙烯, 黑色

护套: 120°C交联聚乙烯, 黑色

电压: 600/1000V 温度: 120°C

描述: 专门设计用于连接建筑物内外的光伏系统组件和具有高机械要求和极端天气条件的设备。用于永久性安装。

Conductor: Tinned annealed copper

Insulation: 120°C XLPE, black

Jacket: 120°C XLPE, black

Voltage: 600/1000V Temperature: 120°C

Specifically designed for connecting photovoltaic system components inside and outside of building and equipment with high mechanical requirements and extreme weather conditions. For permanent installations.



01 电子束无螺纹连接绝缘和涂层制成的电缆;
Cable made of electron-beam threadless connected insulation and coating;

02 高耐热、耐寒、耐油、耐磨、耐臭氧、耐紫外线和耐候性;
High resistance against heat, cold, oil, abrasion, ozone, UV and weather;

03 低烟、无卤、无焰、阻燃;
With improved reaction in case of fire;

04 火灾时的反应得到改善;
Response to fire is improved;

05 灵活、易于剥离、空间要求极低、机械强度极强、使用寿命长。
Flexible, easy to strip, minimal space requirement, extremely mechanically robust, long service life.

01 电缆特征参数 / Cable Characteristic Parameters

额定电压

Rated Voltage

交流: 600/1000V

直流: 900/1500V

Communication: 600/1000V

Direct: 900/1500V

火灾行为

Fire Behavior

绝缘阻燃剂

低烟排放

Insulation flame retardant

Low smoke emission

温度范围

Temperature Range

环境温度: -40°C-90°C

导体最高温度: +120°C

Ambient temperature: -40°C-90°C

Maximum conductor temperature: +120°C

颜色

Colour

黑-红

Black-red

预计使用寿命

Estimated Service Life

>25年

>25 years

环境兼容性
Environmental
Compatibility

抗紫外线和臭氧
UV and ozone resistance

抗水解性
Hydrolysis resistance

耐酸耐油
Acid and oil resistance

无卤素
Halogen-free

符合ROHS
ROHS compliant

02 构成 / Construction

Type 类型	Conductor 导体		Insulation Standard Thickness 隔热标准厚度	Insulation Standard Dia. 绝缘标准直径	Jacket 保温套 Standard Thickness 标准厚度	Outer Dia. 外径	Conductor resistance(20°C) 导体电阻(20°C)	Max Current Carrying Capacity 最大载流量
	Conduction 传导	Conductor Dia. 导线直径						
mm ²	N/mm	(about) mm	mm	mm	mm	mm	Ω/KM	Apm
1.5	30/0.25±0.006	1.58	0.90	3.38 ± 0.10	1.10	5.50 ± 0.2	13.7	30
2.5	50/0.25±0.006	2.04	0.85	3.74 ± 0.10	0.90	5.50 ± 0.2	8.21	41
4.0	56/0.25±0.006	2.59	0.85	4.29 ± 0.10	0.90	6.10 ± 0.2	5.09	35
6.0	60/0.25±0.006	3.17	0.85	4.87 ± 0.10	1.05	7.00 ± 0.2	3.39	70

03 电气特性 / Electrical Properties

Item Name 项目名称	Units	Specification
Conductor resistance(20°C) 导体电阻(20°C)	Ω/km	—
Insulation resistance(90°C) 绝缘电阻(90°C)	Ω/cm	<10 ¹¹
Withstand voltage 耐受电压	V/5min	AC6500
Lifetime 使用期限	year	≤25year
Min.Bending Radius 最小弯曲半径	—	5D



04 光电电缆 / Photoelectric Cable

Item No. 编号	Description 描述	Package(Meter/Roll) 包装(米/卷)
VG-MC-A006-250	Solar cable 1.5mm ² 太阳能电缆1.5mm ²	250
VG-MC-A007-250	Solar cable 2.5mm ² 太阳能电缆2.5mm ²	250
VG-MC-A008-100	Solar cable 4.0mm ² 太阳能电缆4.0mm ²	100
VG-MC-A009-200	Solar cable 6.0mm ² 太阳能电缆6.0mm ²	200
VG-MC-A0010-100	Solar cable 10.0mm ² 太阳能电缆10.0mm ²	100



▶ 光伏安装工具 | PV Installation Tools



MC4光伏压线钳
MC4 PV crimping pliers



剥线钳
Wire stripper



剥线钳
Wire stripper



MC4扳手
MC4 wrench

▶ 带法兰螺旋地桩 / Ground Screw with Flange (small spiral blade)

材质: 钢Q235B、高级热镀锌80μ
Material: Material steel Q235B/High class hot galvanized 80μ



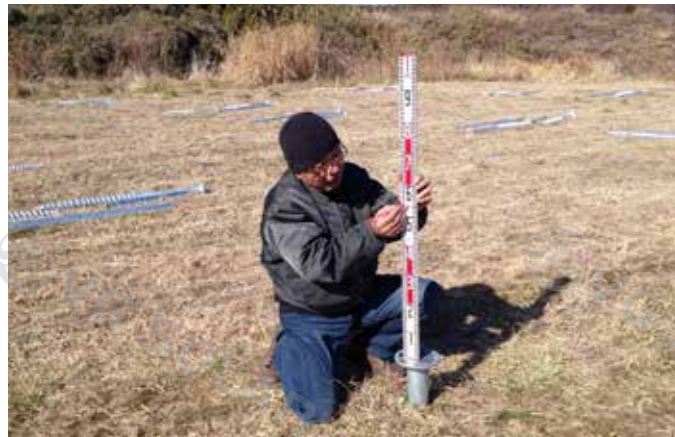
产品编号 Item No.	直径 (mm) Diameter(mm)	长度 (mm) Length(mm)	厚度 (mm) Thickness(mm)
VG-HT-1200-A01	76	1200	3.0
VG-HT-1600-A01	76	1600	3.0
VG-HT-2000-A01	76	2000	3.0
VG-HT-2500-A01	76	2500	3.0
VG-HT-1200-A01A	76	1200	3.5
VG-HT-1600-A01A	76	1600	3.5
VG-HT-2000-A01A	76	2000	3.5
VG-HT-2500-A01A	76	2500	3.5

▶ 带法兰大叶片螺旋地桩 / Ground Screw with Flange (double big blade)

材质: 钢Q235B、高级热镀锌80μ
Material: Material steel Q235B/ High class hot galvanized 80μ



产品编号 Item No.	直径 (mm) Diameter(mm)	长度 (mm) Length(mm)	厚度 (mm) Thickness(mm)
VG-HT-1200-A04	76	1200	3.0
VG-HT-1600-A04	76	1600	3.0
VG-HT-2000-A04	76	2000	3.0
VG-HT-2500-A04	76	2500	3.0
VG-HT-1200-A04A	76	1200	3.5
VG-HT-1600-A04A	76	1600	3.5
VG-HT-2000-A04A	76	2000	3.5
VG-HT-2500-A04A	76	2500	3.5



▶ 无法兰螺旋地桩 / Ground Screw without Flange

材质: 钢Q235B、高级热镀锌80μ
Material: Material steel Q235B/ High class hot galvanized 80μ



产品编号 Item No.	直径 (mm) Diameter(mm)	长度 (mm) Length(mm)	厚度 (mm) Thickness(mm)
VG-HT-1200-A03	76	1200	3.0
VG-HT-1600-A03	76	1600	3.0
VG-HT-2000-A03	76	2000	3.0
VG-HT-2500-A03	76	2500	3.0
VG-HT-1200-A03A	76	1200	3.5
VG-HT-1600-A03A	76	1600	3.5
VG-HT-2000-A03A	76	2000	3.5
VG-HT-2500-A03A	76	2500	3.5

▶ 无法兰大叶片螺旋地桩 / Ground Screw without Flange

材质: 钢Q235B、高级热镀锌80μ
Material: Material steel Q235B/ High class hot galvanized 80μ



产品编号 Item No.	直径 (mm) Diameter(mm)	长度 (mm) Length(mm)	厚度 (mm) Thickness(mm)
VG-HT-1200-A06	76	1200	3.0
VG-HT-1600-A06	76	1600	3.0
VG-HT-2000-A06	76	2000	3.0
VG-HT-2500-A06	76	2500	3.0
VG-HT-1200-A06A	76	1200	3.5
VG-HT-1600-A06A	76	1600	3.5
VG-HT-2000-A06A	76	2000	3.5
VG-HT-2500-A06A	76	2500	3.5



成功案例
Successful Cases

上海沃尔沃 2MW
2MW - Shanghai,China



上海昌强重工 4MW
4MW - Shanghai,China



泰国 9MW
9MW - Lamchabang,
Thailand



上海格力高 1MW
1MW - Shanghai,China



成功案例
Successful Cases

日本山形县 10MW
10MW - Yamagataken,
Japan



日本北海道 13MW
13 MW - Hokkaidō,Japan



越南芽庄 50MW
50 MW - NhaTrang,Vietnam



菲律宾 14MW
14MW - Bulacan,Philippines



成功案例
Successful Cases

浙江温州150MW跟踪项目
150 MW - Zhejiang,China



江苏丹阳180MW跟踪项目
180 MW - Jiangsu,China

成功案例
Successful Cases

日本盛冈 50MW
50 MW - Morioka,Japan



成功案例
Successful Cases

江苏旭派 14MW
14MW- Jiangsu,China



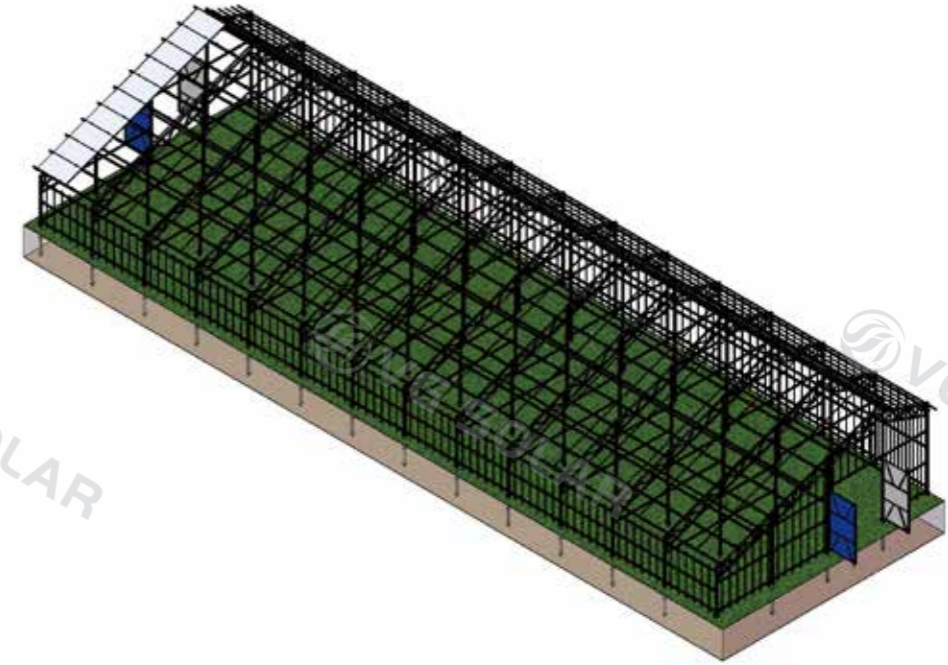
江苏无锡 3.5MW
3.5 MW - Jiangsu,China



西藏 40MW
40 MW - Tibet,China



农业大棚
Agricultural Greenhouse



项目案例
Project Cases

日本茨城县农业大棚项目
Greenhouse - Ibarakiken,Japan



备忘录

VG SOLAR

VG SOLAR

VG SOLAR

VG SOLAR

VG SOLAR

VG SOLAR

VG SOLAR

VG SOLAR

VG SOLAR

VG SOLAR

VG SOLAR

备忘录

VG SOLAR

VG SOLAR

VG SOLAR

VG SOLAR

VG SOLAR

VG SOLAR

VG SOLAR

VG SOLAR

VG SOLAR

VG SOLAR

VG SOLAR